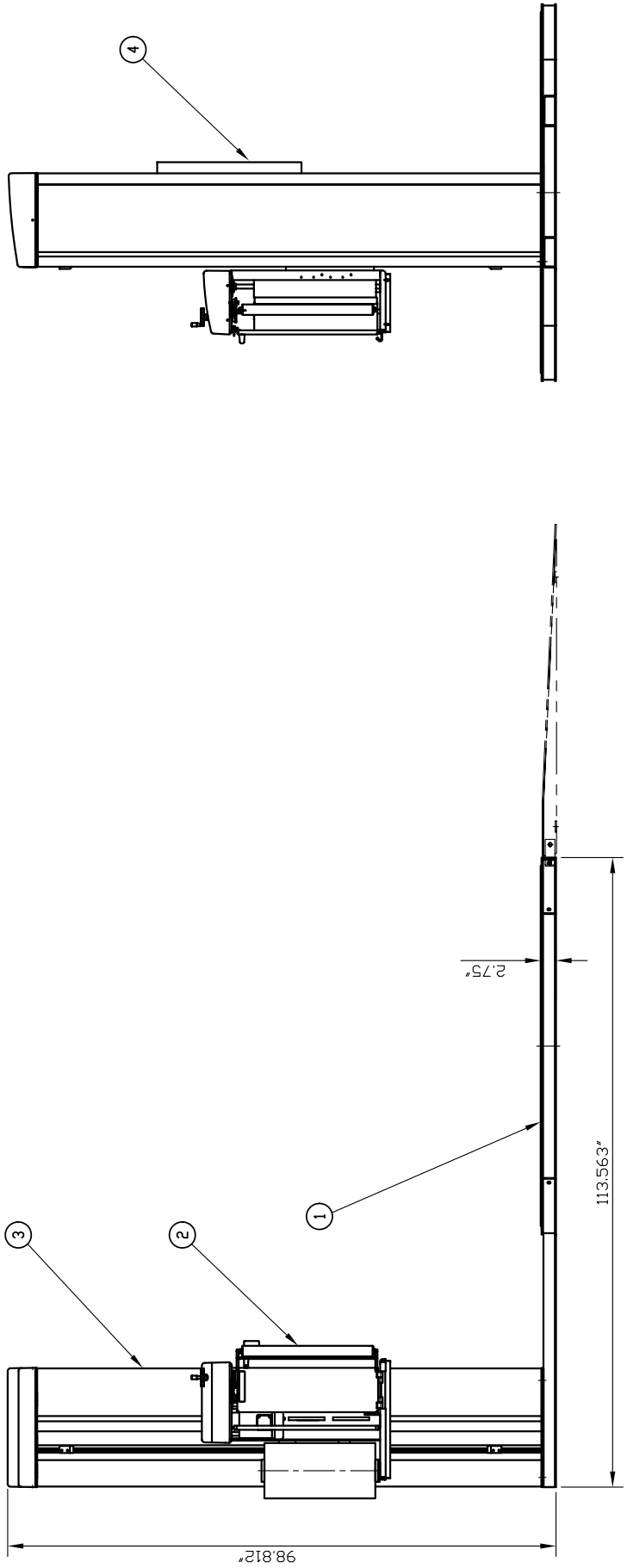
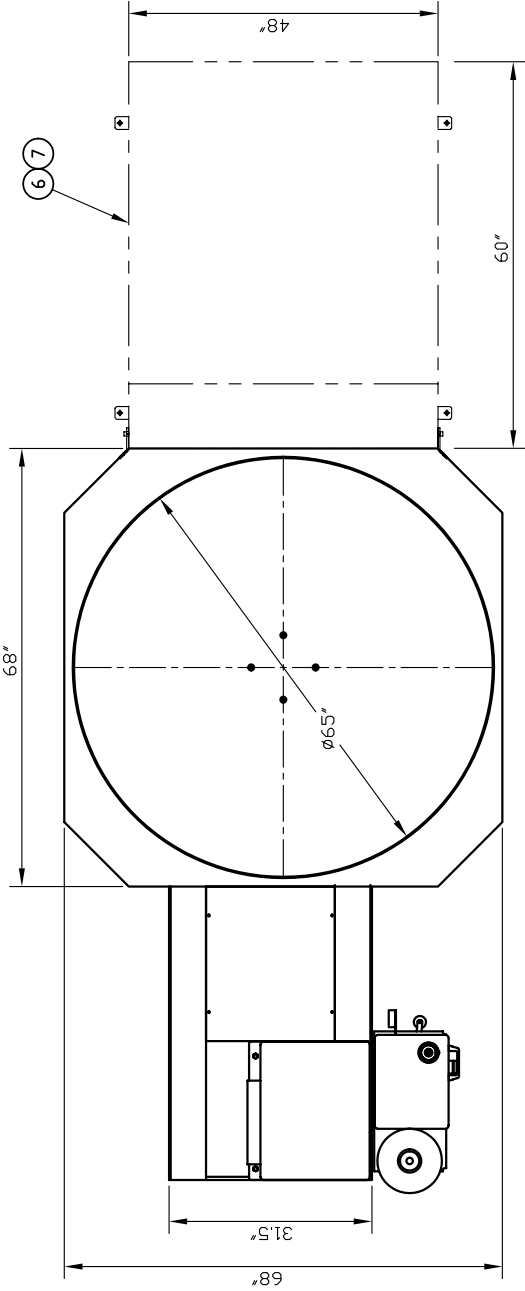


SER. No. *

MATERIAL LIST

ITEM	QTY.	DESCRIPTION	PART No.
1	1	BASE ASSY C/W 65" DIA. TURNABLE	G2300-084-00
2	1	RAPID THREAD PRESTRETCH CARRIAGE ASSEMBLY	G2900-083-00
3	1	STD. TOWER ASSEMBLY 80" LOAD HEIGHT	G2700-047-00
4	1	CONTROL PANEL	T.B.A.
5	.		
6	(1)	OPTIONAL - RAMP WELDMENT 48" WIDE x 60" LONG	C3156
7	(2)	OPTIONAL - CONNECTING RAMP BRACKET	F2073

NOTE: OPTIONAL RAMP CAN BE INSTALLED ON FRONT OR SIDES OF MACHINE.



COUSINS PACKAGING INC.	
SCALE 1 : 15	TITLE LP-SV PLATFORM AUTOMATIC STRETCH WRAP MACHINE
DATE JUNE 10, 2011	C/W 65" DIA. TURNABLE & STD. TOWER
DRAWN BY	CHECKED BY
SD	
DRAWING NO. G3000-061-00	SHEET 1 OF 1
	REVISION 0

No.	DESCRIPTION	DATE	REVISIONS