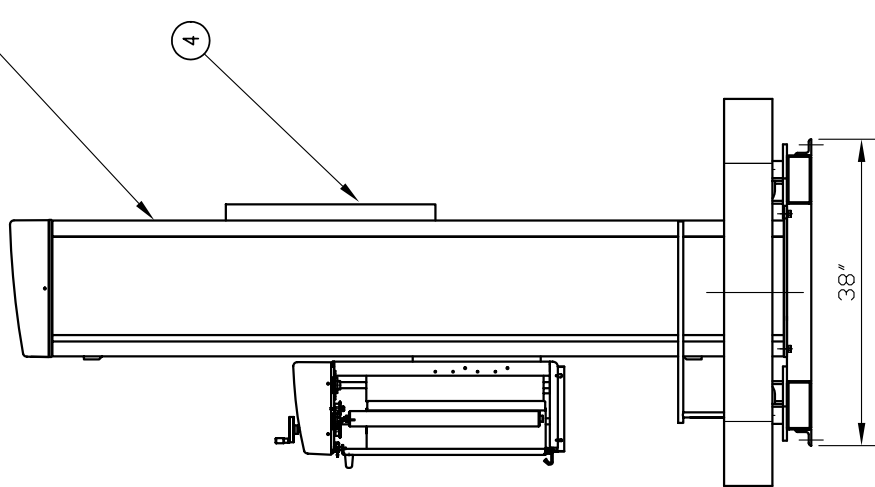
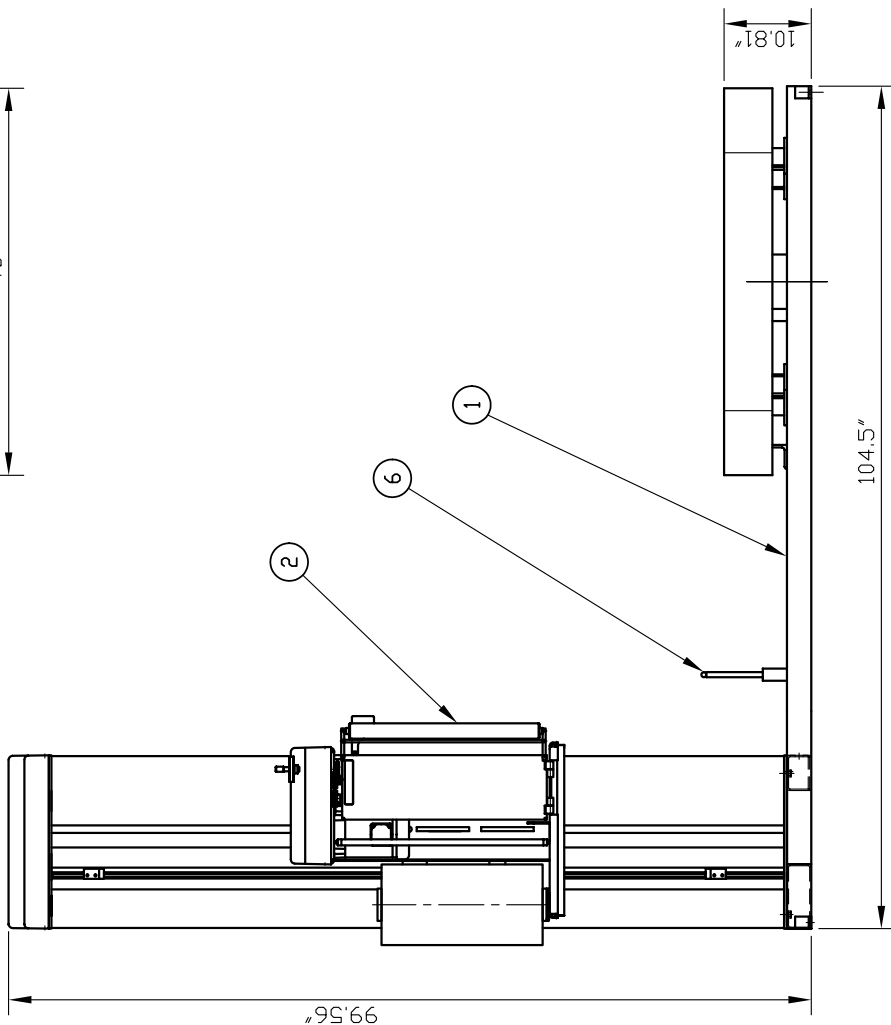
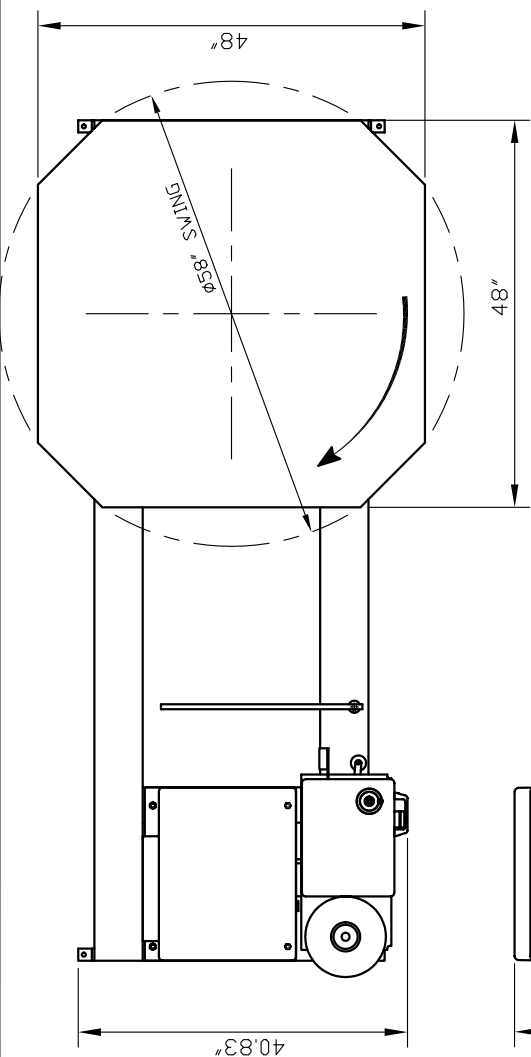


SER. No. •

MATERIAL LIST		
ITEM	QTY.	DESCRIPTION
1	1	BASE ASSY c/w 48" OCTAGONAL TURNTABLE
2	1	RAPID THREAD PRESTRETCH CARRIAGE ASSEMBLY
3	1	STD. TOWER ASSEMBLY, 80" LOAD HEIGHT
4	1	CONTROL PANEL
5	1	T.B.A.
6	1	FILM ROPING BAR

ITEM	QTY.	PART No.
1	1	G2500-053-00
2	1	G2500-083-00
3	1	G2700-047-00
4	1	T.B.A.
5	1	T.B.A.
6	1	G2509



SCALE 1 : 12		TITLE HP-SW PLATFORM AUTOMATIC STRETCH WRAP MACHINE	
DATE JUNE 15, 2011		C/W 48" OCTAGONAL TURNTABLE & STD. TOWER	
DRAWN BY	CHECKED BY	DRAWING NO.	G3000-067-00
SD		SHEET	1 OF 1
		REVISION	0

REVISIONS	
No.	DESCRIPTION

COUSINS PACKAGING INC.