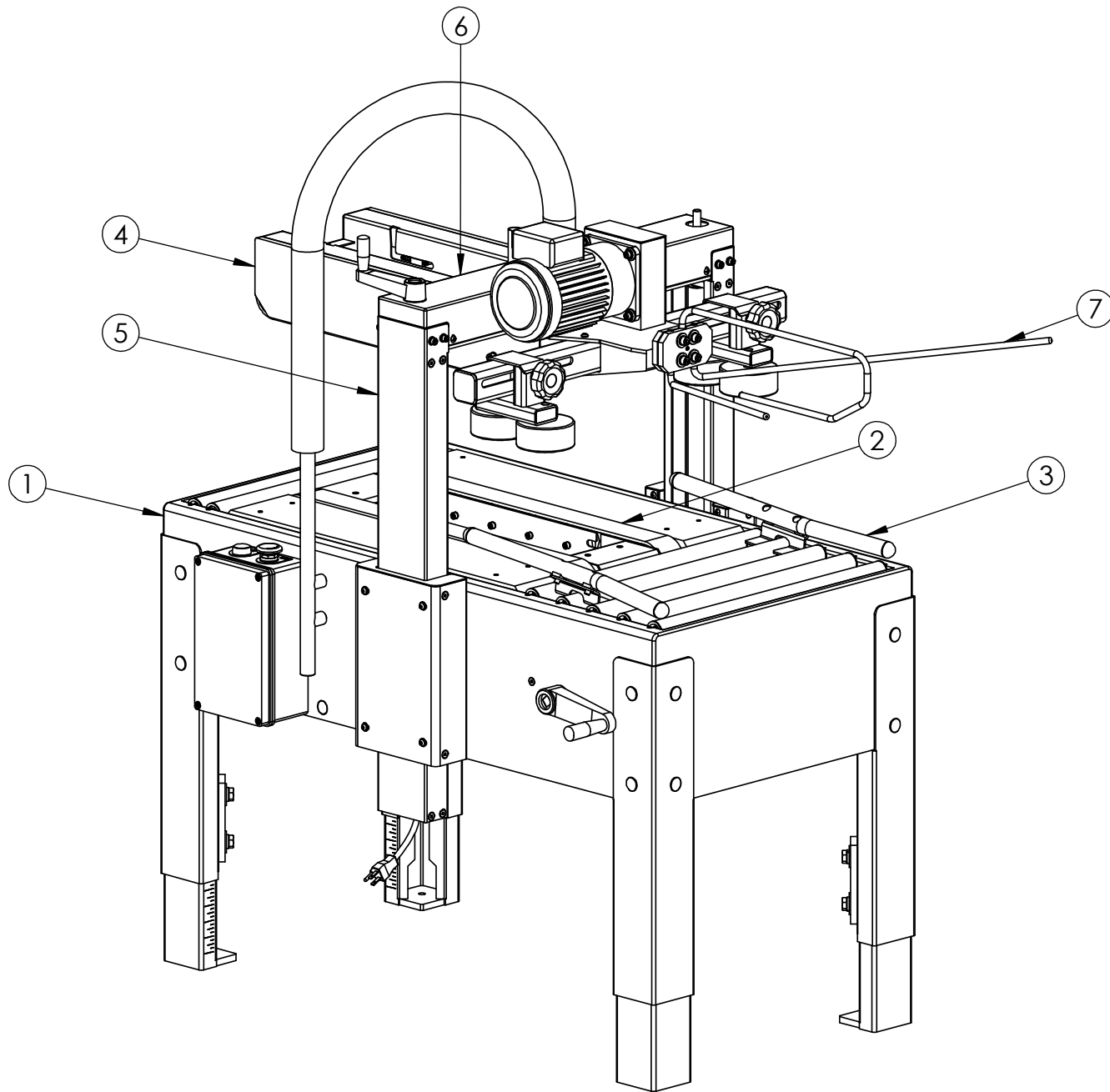


**APPENDIX A – PARTS LISTS – UM206**



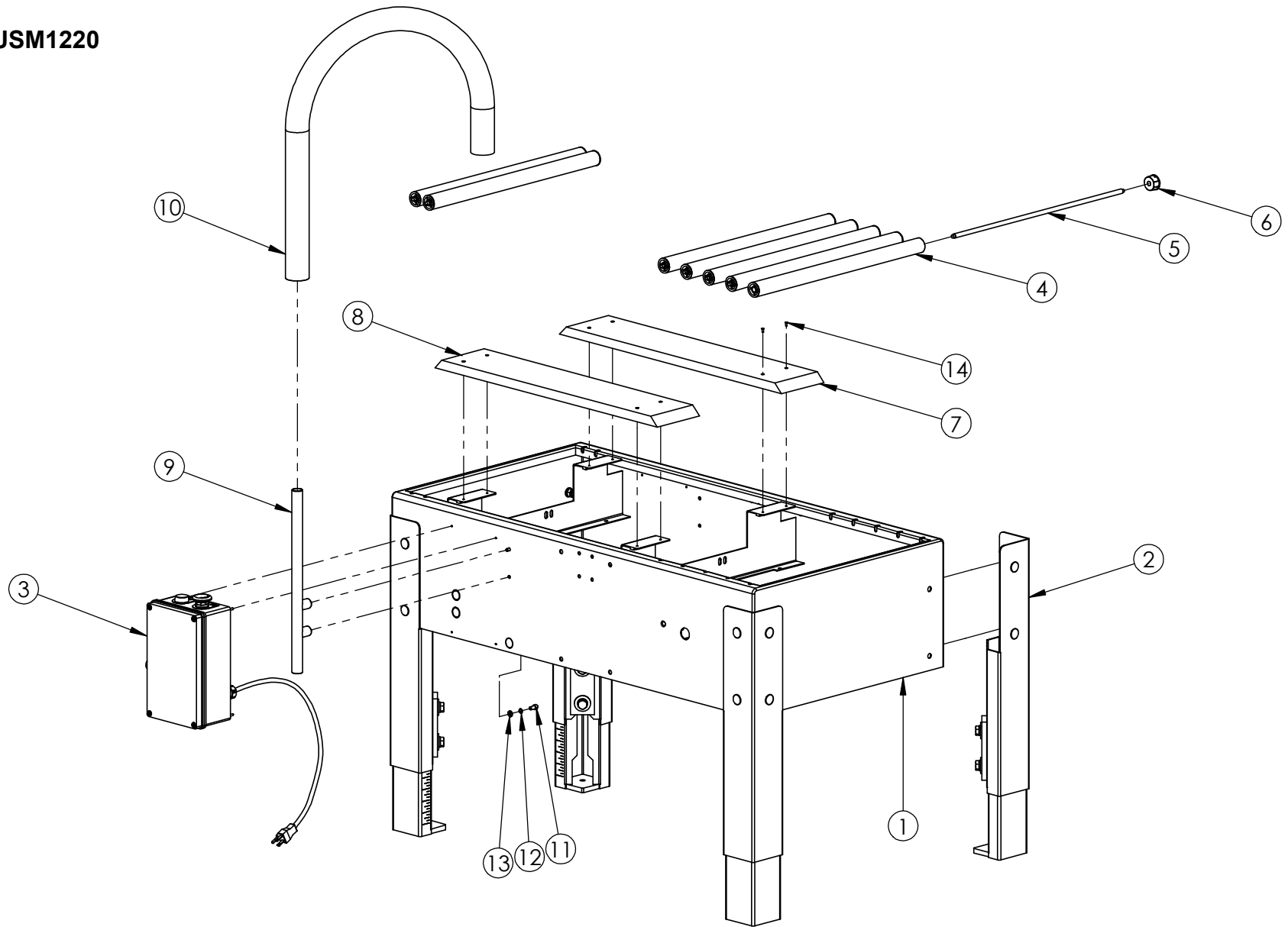
UM206



**UM206**

ITEM NO.	PART NUMBER	DESCRIPTION	QTY.
1	USM1220	BASE ASSEMBLY	1
2	USM1223	BOTTOM BELT DRIVE ASSEMBLY	1
3	USM1225	BOTTOM CENTRING GUIDE	1
4	USM1224	TOP BELT DRIVE ASSEMBLY	1
5	USM1222	COLUMN ASSEMBLY	2
6	USM1221	TOP BEAM ASSEMBLY	1
7	O9324-500	3 FLAP FOLDER ASSEMBLY	1

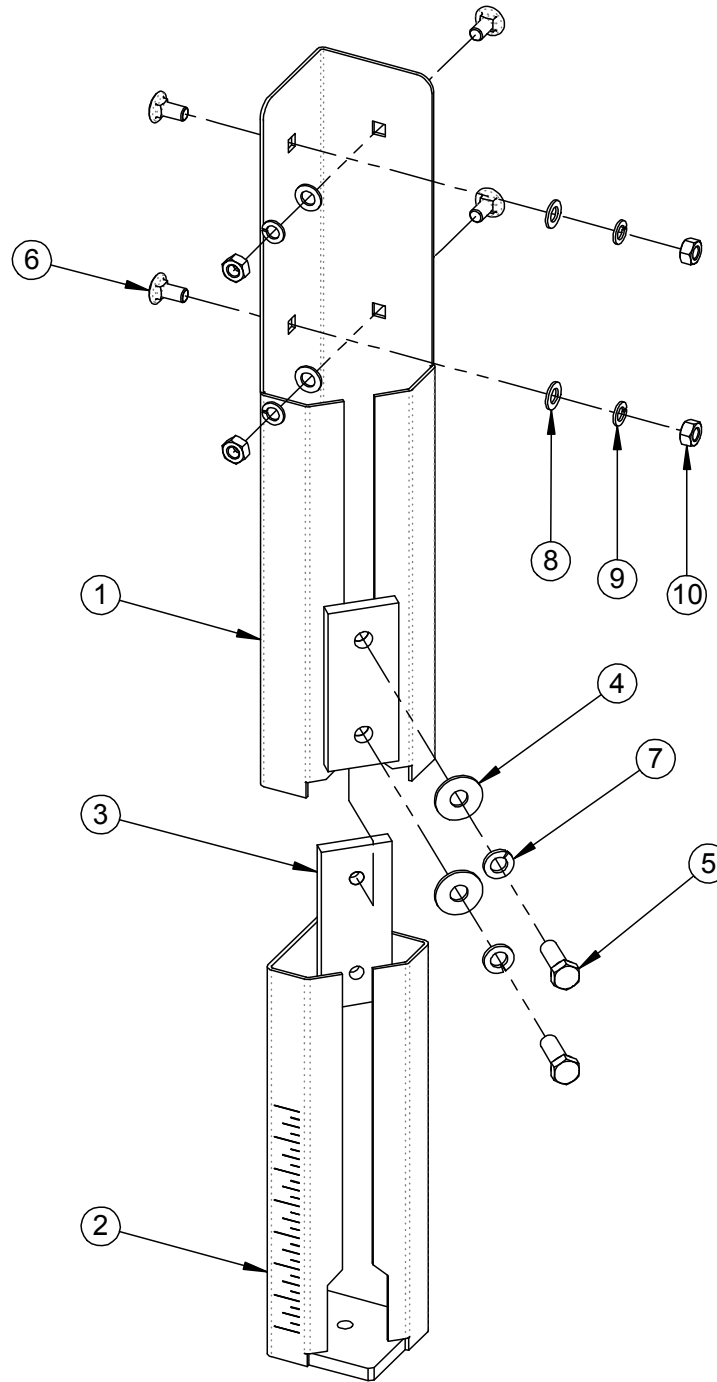
# USM1220



**USM1220**

ITEM NO.	PART NUMBER	DESCRIPTION	QTY.
1	O9324-101	BASE FRAME	1
2	UAM0275	LEG ASSEMBLY METRIC	4
3	USM0817	ELECTRICAL ASSEMBLY	1
4	ROL-0494	ROLLER	7
5	ROS-0509	ROLLER SHAFT	7
6	E00-1200	PLASTIC BUSH	14
7	BA73-116B MI	TABLE COVER RH	1
8	BA73-116B	TABLE COVER LH	1
9	E00-1232	POWER WIRE GUARD PIPE	1
10	E00-1240	FLEXIBLE PIPE	1
11	UF0820	SHCS M6-1 x 12	2
12	UF6363	LW M6	2
13	UF1828	FW M6	2
14	UF6312	FHCS M3-0.5 x 8 mm	8

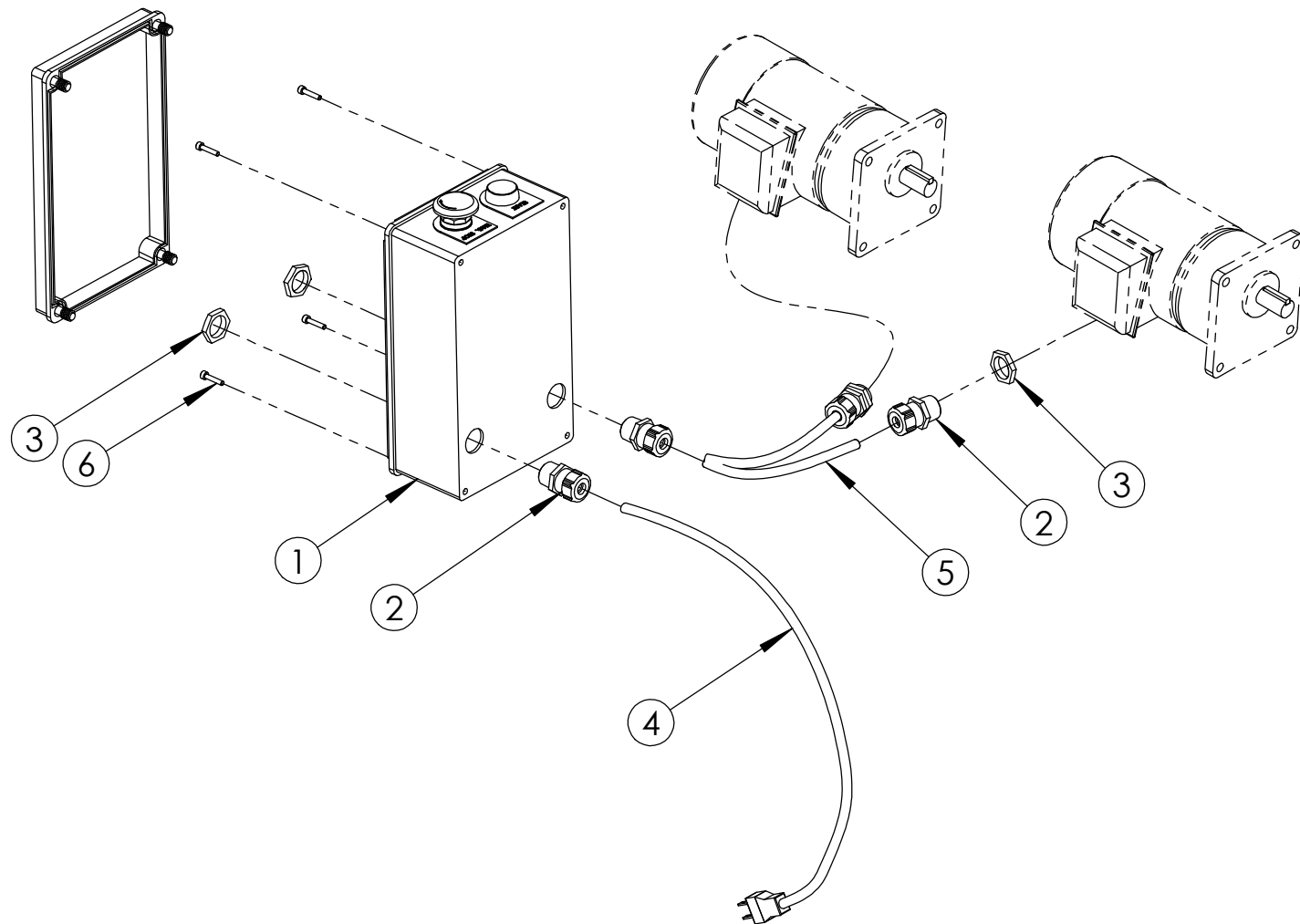
UAM0275



**UAM0275**

ITEM	PART #	DESCRIPTION	QTY.
1	UPM7640	LEG WELDMENT	1
2	UPM7641	LEG ADJUSTMENT	1
3	UPM7642	LEG FRICTION PLATE	1
4	UF4231	FW M12	2
5	UF6393	HHCS M12-1.75 x 35mm	2
6	UF4229	CARRIAGE BOLT M10-1.5 x 20	4
7	UF4230	L.W. ZINC M12	2
8	UF3680	FW M10	4
9	UF6371	LW M10	4
10	UF6314	HNR M10 x 1.5	4

USM0817

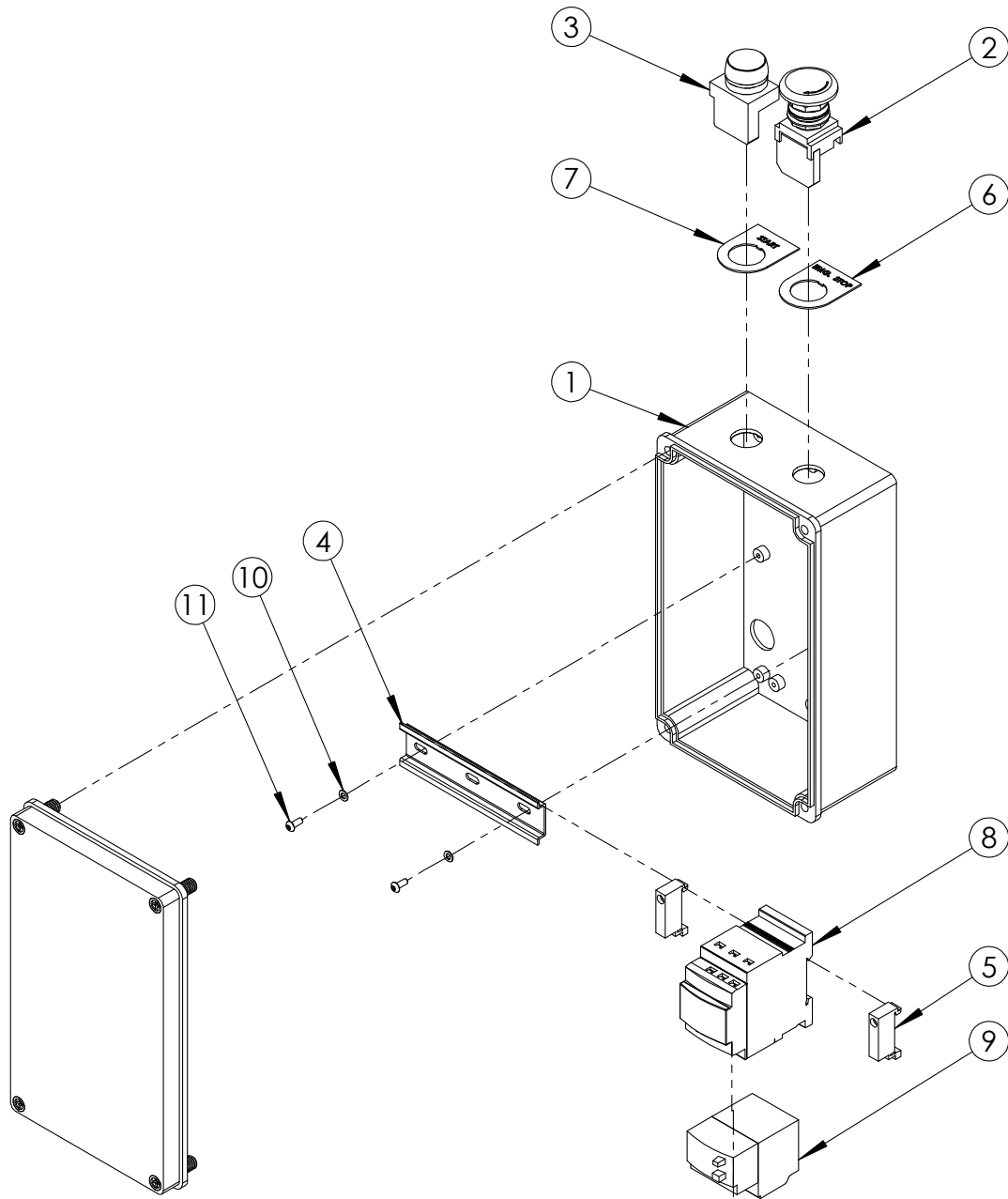




**USM0817**

ITEM	PART #	DESCRIPTION	QTY.
1	UAM0264	ELECTRIC BOX ASSEMBLY	1
2	UPM0197EV	STR.RELF METL.LIQDTGHT M20X1.5 (8-10mm)	4
3	UPM0341EV	LOCKNUT M20 X 1.5(FOR STRAIN RELF)	4
4	UPM0209	POWER CORD, 14/3	1
5	UPM0225	CABLE 18/3 TYPE SJ	2
6	UF3646	SHCS M4-0.7 x 20	4

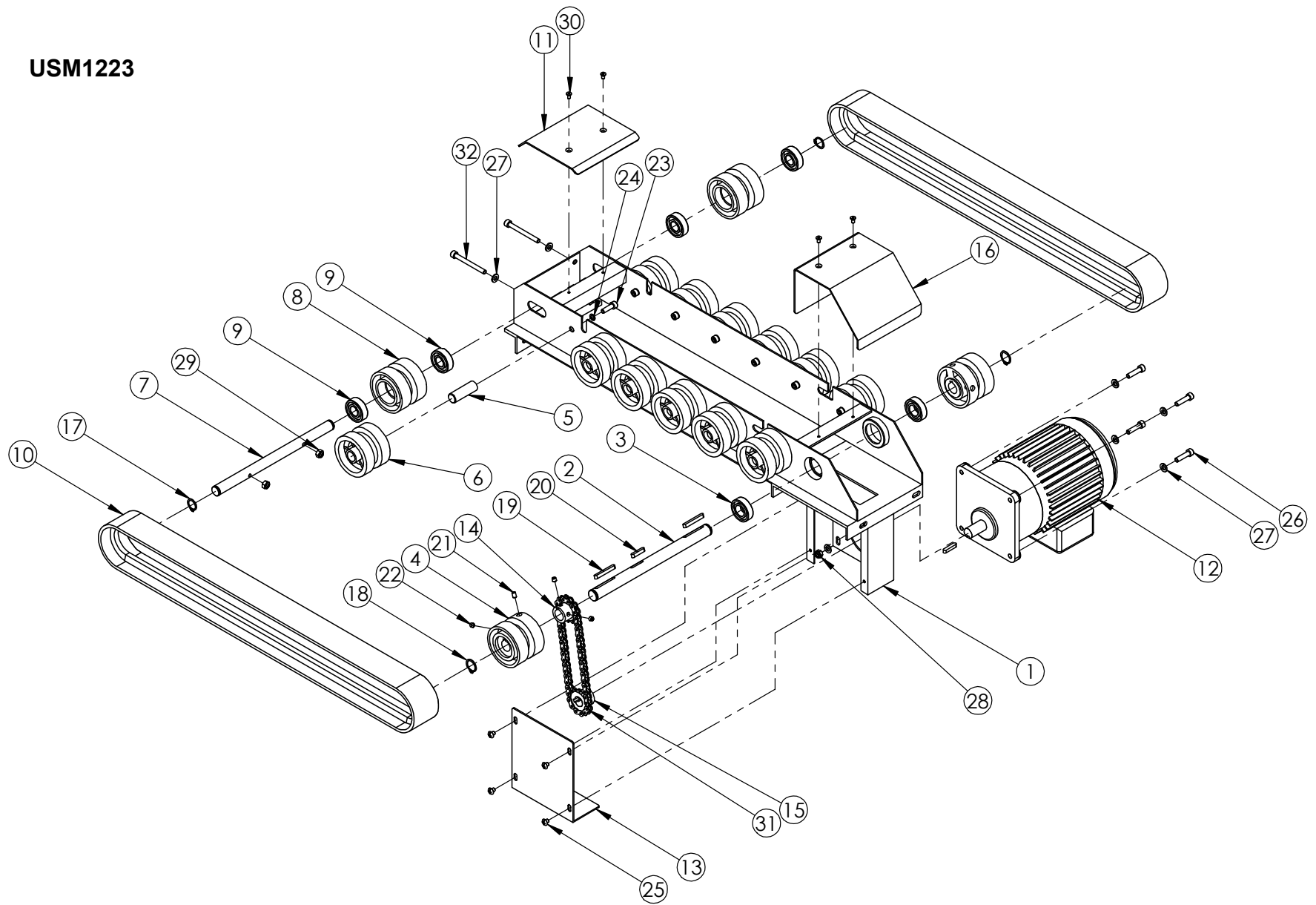
UAM0264



**UAM0264**

ITEM	PART #	DESCRIPTION	UAM0264/ QTY.
1	UPM7527	ENCLOSURE DEMEX HIBOX 132 X 232	1
2	UPM2211	BUTTON MUSHROOM 22mm 1 N.C.	1
3	UPM2212	BUTTON GREEN 22mm 1 N.O.	1
4	UPM0407EV	DIN RAIL USA 2324	1
5	UPM7440EV	TB END ANCHOR FOR DN SER	2
6	UPM2209EV	LEGEND PLATE "E-STOP"	1
7	UPM2210EV	LEGEND PLATE "START"	1
8	UPM7524	MOTOR STARTER TELEMEC 110VAC	1
9	UPM2213EV	MOTOR O/L TELEMEC 2.5-4.0A	1
10	UF3710	FW M4	2
11	UF6365	BHCS M4 x 0.7 x 10mm	2

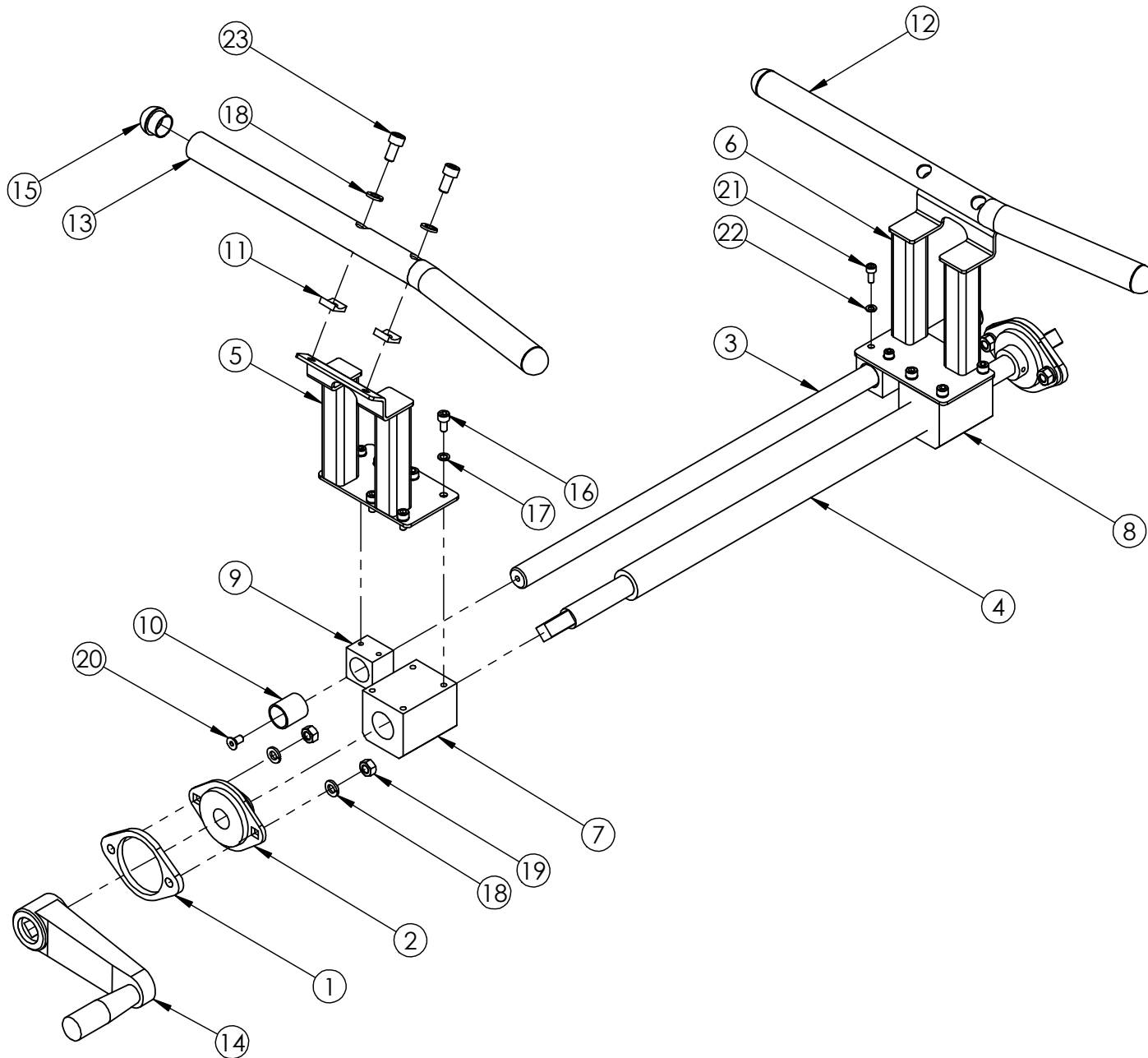
USM1223



**USM1223**

ITEM NO.	PART NUMBER	DESCRIPTION	QTY.
1	73WS2010	LOWER TAPE HEAD FRAME	1
2	E00-4160	DRIVING PULLEY SHAFT	1
3	6003-35-17-10	BALL BEARING	2
4	73WS4050	DRIVING ALUMINIUM PULLEY	2
5	E00-4190	PLASTIC PULLEY SHAFT	12
6	E00-4040	PLASTIC PULLEY	12
7	E00-4170	DRIVING PULLEY SHAFT	1
8	73WS4060	DRIVING ALUMINIUM PULLEY	2
9	6202-35-15-11	BALL BEARING	4
10	E00-4030	DRIVING BELT (50x1334)	2
11	73WS2030	TOP COVER	1
12	E00-2080	MOTOR 1/4HP 1:18	1
13	E72-4080	LOWER CHAIN WHEEL GUARD	1
14	RS131217	DRIVING CHAIN SPROCKET	1
15	RS131216	DRIVING CHAIN SPROCKET	1
16	73WS2020	LOWER GEAR GUARD	1
17	C-S15	EXT. RETAINING RING	2
18	C-S17	EXT. RETAINING RING	2
19	UF3730	SQUARE KEY ROUND ENDS 5 X 5 X 40	2
20	UF5901	SQUARE KEY ROUND ENDS 5 x 5 x 25	2
21	UF3732	SSS M5-0.8 x 8mm	2
22	UF1411	SSS M6 X 6mm	6
23	UF0835	SHCS M6-1 X 20mm	12
24	UF6363	LW M6	12
25	UF3626	PHS M5 x 6mm	4
26	UF0840	SHCS M6-1 X 25mm	4
27	UF1828	FW M6	10
28	UF5900	NYLON LOCK NUT M6-1.0	4
29	UF3637	HNR M6-1.0	2
30	UF5401	FHCS M4-0.7 x 8 mm	4
31	UPM7776	CHAIN #35	1
32	UF5903	SHCS M6-1 x 60mm	2

USM1225



**USM1225**

ITEM NO.	PART NUMBER	DESCRIPTION	QTY.
1	UPM2198	BEARING SPACER	2
2	UPM0523	FLANGE BEARING	2
3	O9324-303	SHAFT 20mm x 565mm	1
4	O9324-302	ACME SHAFT FOR HANDLE	1
5	O9324-304	GUIDE SUPPORT LH	1
6	O9324-304 MI	GUIDE SUPPORT RH	1
7	E72-2030	NUT LEFT THREAD	1
8	E72-2040	NUT RIGHT THREAD	1
9	O9324-305	BEARING HOUSING	2
10	KFB20x25	BEARING	2
11	UPM7521	CONCAVE SEAT	4
12	O9324-301	GUIDE ADAPTER R.H.	1
13	O9324-301 MI	GUIDE ADAPTER L.H.	1
14	MT 130 AS-14x14	CRANK HANDLE	1
15	UPM7482	TUBE PLUG	4
16	UF0820	SHCS M6-1 x 12	8
17	UF6363	LW M6	8
18	UF0867	LW M8	8
19	UF0866	HNR M8 - 1.25	4
20	UF1042	FHCS M6-1 x 12 mm	2
21	UF9154	SHCS M5-0.8 X 12	4
22	UF7023	LW M5	4
23	UF6367	SHCS M8-1.25 x 16	4





**USM1224**

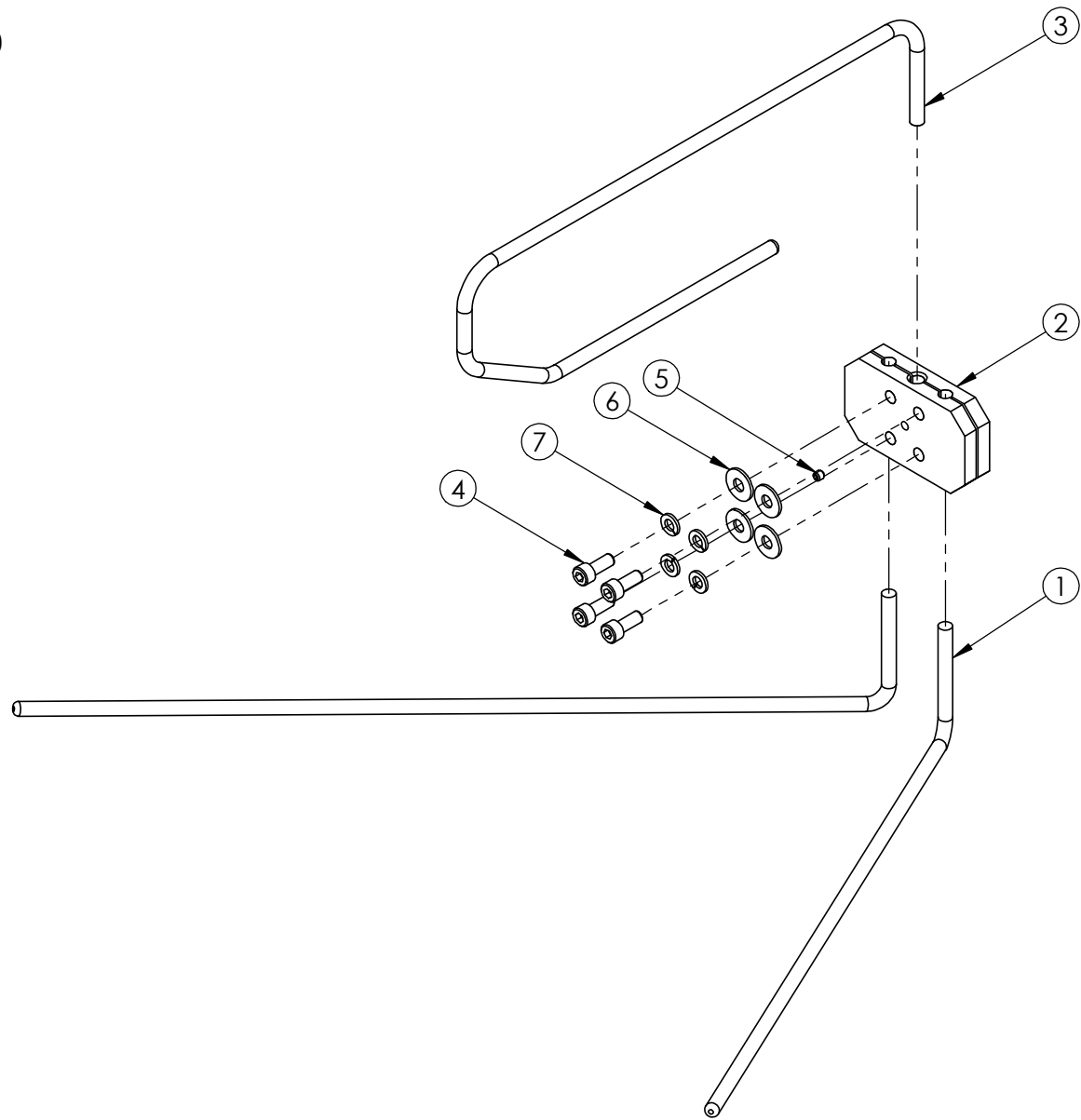
ITEM NO.	PART NUMBER	DESCRIPTION	QTY.
1	O9324-407B	UPPER TAPE HEAD FRAME	1
2	6003-35-17-10	BALL BEARING	2
3	73WS4050	DRIVING ALUMINIUM PULLEY	2
4	E00-4160	DRIVING PULLEY SHAFT	1
5	UF3730	SQUARE KEY ROUND ENDS 5 X 5 X 40	2
6	UF5901	SQUARE KEY ROUND ENDS 5 x 5 x 25	1
7	C-S17	EXT. RETAINING RING	2
8	E00-4180	PLASTIC PULLEY SHAFT	4
9	E00-4190	PLASTIC PULLEY SHAFT	8
10	E00-4040	PLASTIC PULLEY	12
11	E00-4170	DRIVING PULLEY SHAFT	1
12	73WS4060	DRIVING ALUMINIUM PULLEY	2
13	6202-35-15-11	BALL BEARING	4
14	E00-4030	DRIVING BELT (50x1334)	2
15	C-S15	EXT. RETAINING RING	6
16	BA73-405A	UPPER SIDE GUARD LH	1
17	MirrorBA73-405A	UPPER SIDE GUARD RH	1
18	BA73-408B	SAFETY GUARD	2
19	E72-4080	LOWER CHAIN WHEEL GUARD	1
20	RS131216	DRIVING CHAIN SPROCKET	1
21	RS131217	DRIVING CHAIN SPROCKET	1
22	E00-2080	MOTOR 1/4HP 1:18	1
23	O9324-432	COMPRESSION GUIDE SUPPORT	1
24	O9324-441	T NUT	2
25	O9324-431	KNOB	2
26	O9324-427	WHEEL SHAFT	4
27	E72-4290	GUIDE WHEEL	4
28	APM0161	AP PLUG, BASE STAND	2

**USM1224**

ITEM NO.	PART NUMBER	DESCRIPTION	QTY.
29	M4119R0A	SPRING SUPPORT	2
30	UPM1068	COMPRESSION SPRING	2
31	O9324-430	WHEEL SUPPORT LH	1
32	O9324-430MI	WHEEL SUPPORT RH	1
33	BA73-4090	TOP GAP FILLER	1
34	UPM7776	CHAIN #35	1
35	UF0835	SHCS M6-1 X 20mm	8
36	UF6363	LW M6	10
37	UF6314	HNR M10 x 1.5	2
38	UF3680	FW M10	2
39	UF5202	SHCS M3-0.5 x 6 mm	2
40	UF3722	M8x1.0 Nylon Lock Nut	2
41	UF5902	SHCS M6-1 X 50mm	2
42	UF1828	FW M6	10
43	UF3637	HNR M6-1.0	2
44	UF6367	SHCS M8-1.25 x 16	4
45	UF0867	LW M8	4
46	UF9154	SHCS M5-0.8 X 12	4
47	UF1827	FW M5	8
48	UF3393	NYLON LOCK NUT M5	4
49	UF0840	SHCS M6-1 X 25mm	4
50	UF5900	NYLON LOCK NUT M6-1.0	4
51	UF3626	PHS M5 x 6mm	4
52	UF1195	BHCS M6-1 x 12 mm	2
53	UF3687	BHCS M5-0.8 X 12mm	4
54	UF7023	LW M5	4
55	UF6375	SHCS M4-0.7 x 50mm	2
56	UF6376	NYLON LOCKNUT M4	2

**THIS PAGE INTENTIONALLY BLANK**

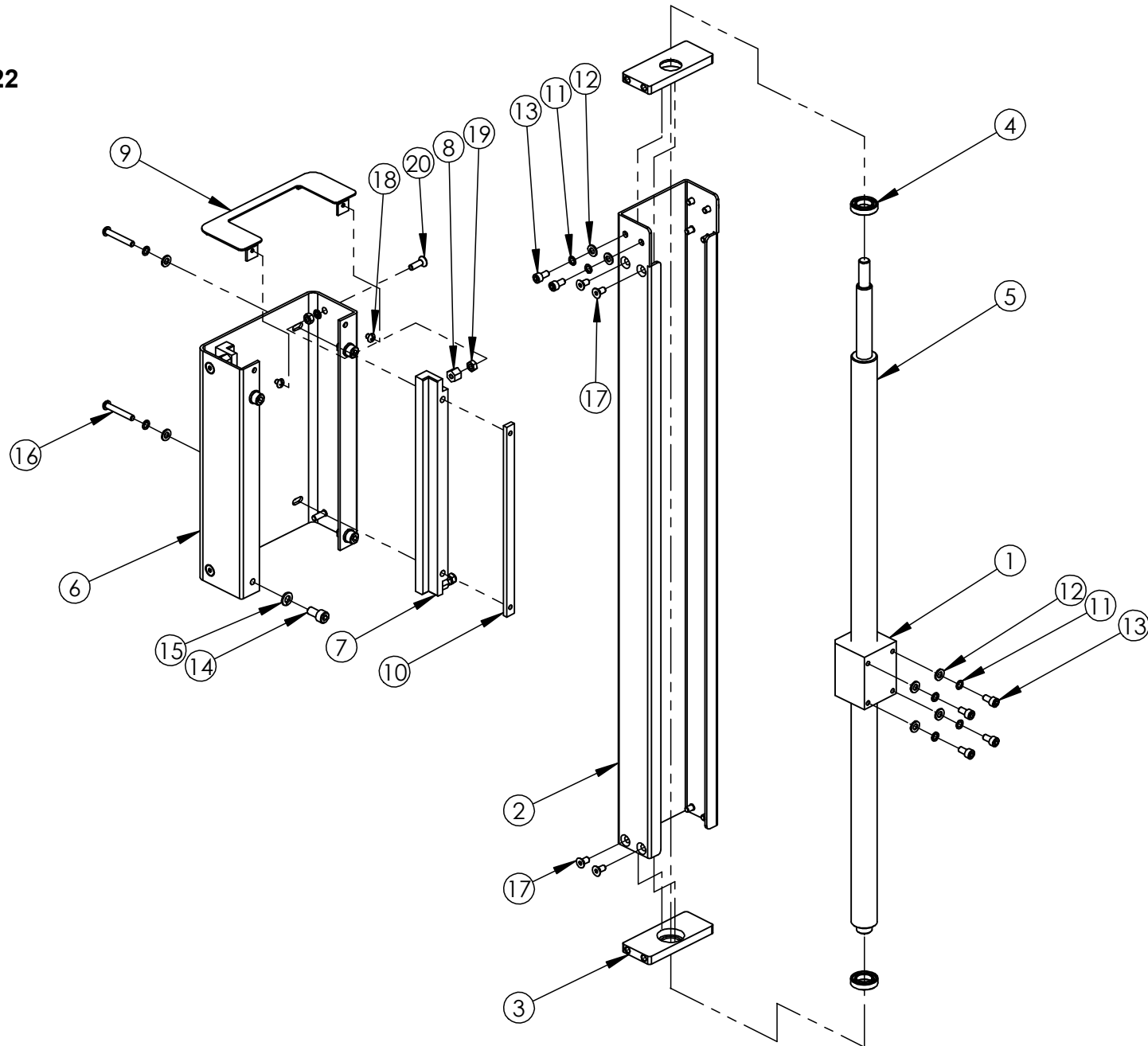
O9324-500



**O9324-500**

ITEM NO.	PART NUMBER	DESCRIPTION	QTY.
1	UPM3741	PLOW ROD 3FF	2
2	O9324-502	PLOW BLOCK	1
3	UPM2281	FRONT FLAP PLOW ROD BB 3FF	1
4	UF5204	SHCS M8-1.25 x 20mm	4
5	UF1411	SSS M6 X 6mm	1
6	UF1821	FW M8	4
7	UF0867	LW M8	4

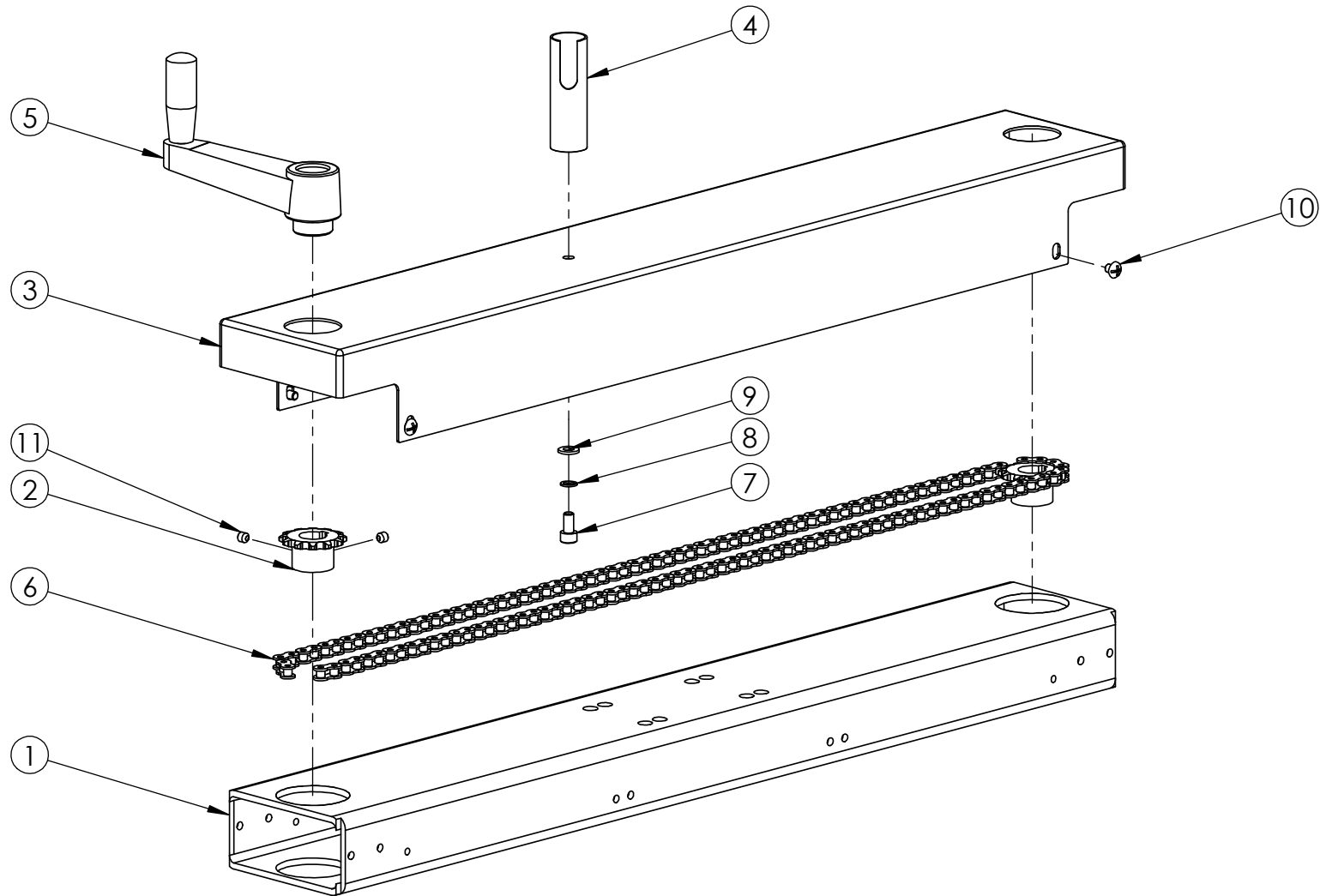
USM1222



**USM1222**

ITEM NO.	PART NUMBER	DESCRIPTION	QTY.
1	E72-2040	NUT RIGHT THREAD	1
2	BA73-103	INNER COLUMN	1
3	BA73-113	BEARING MOUNTING PLATE	2
4	6903-30-17-7	SGL ROW RADIAL BBRG, 69 SER, MM	2
5	O9324-107	ELEVATION SCREW	1
6	O9324-104	OUTER COLUMN	1
7	BA73-105	EXTENSION SCREW GUIDING BLOCK	2
8	BA73-117	BLOCK	4
9	O9324-109	OUTER COLUMN COVER	1
10	BA73-110	GUIDING BLOCK FIXED PLATE	2
11	UF6363	LW M6	16
12	UF1828	FW M6	12
13	UF0820	SHCS M6-1 x 12	8
14	UF6367	SHCS M8-1.25 x 16	4
15	UF0867	LW M8	4
16	UF3727	BHCS M6-1 x 40mm	4
17	UF1042	FHCS M6-1 x 12 mm	8
18	UF3626	PHS M5 x 6mm	2
19	UF3637	HNR M6-1.0	8
20	UF5402	FHCS M6 - 1 x 20	4

USM1221





**USM1221**

ITEM NO.	PART NUMBER	DESCRIPTION	QTY.
1	BA73-106	COLUMN BEAM	1
2	RS131217	DRIVING CHAIN SPROCKET	2
3	BA73-108	TOP BEAM	1
4	E00-4251	POWER WIRE GUARD PIPE	1
5	44301	CRANK HANDLE	1
6	UPM7777	CHAIN #35	1
7	UF0820	SHCS M6-1 x 12	1
8	UF6363	LW M6	1
9	UF1828	FW M6	1
10	UF3626	PHS M5 x 6mm	4
11	UF1411	SSS M6 X 6mm	4

## Electrical Drawing