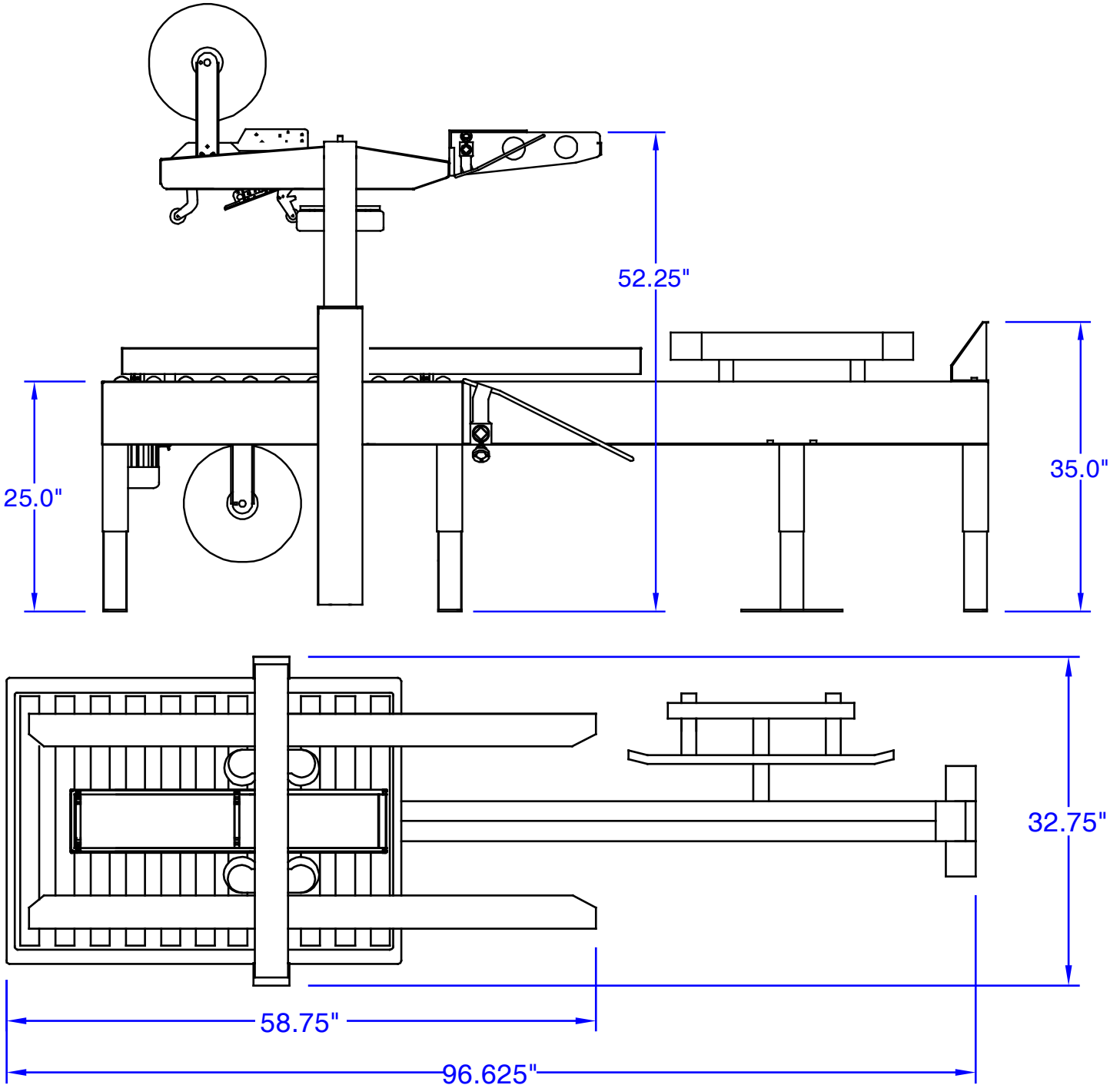


World Leader in Sophisticated Packaging Systems

MSDBF22 footprint



Note: Dimensions are all subject to change without prior notification. Call BestPack® for pricing.

Corporate Office: 10676 Fulton Court, Rancho Cucamonga, CA 91730-4848

Website: <http://www.bestpack.com> • **Email:** sales@bestpack.com • **Phone:** 888-588-2378 • 909-987-4258 • **Fax:** 909-987-5189