

LITTLE DAVID

by Loveshaw an ITW Company

OWNERS



MANUAL

LDXCRS

THE LOVESHAW CORPORATION
2206 EASTON TURNPIKE
SOUTH CANAAN, PA 18459

TEL: (570) 937-4921
FAX: (570) 937-4370

LOVESHAW - EUROPE
UNIT 9, BRUNEL GATE
W. PORTWAY INDUSTRIAL ESTATE
ANDOVER, HAMPSHIRE SP103SL
ENGLAND
44-264-3575-11

TABLE OF CONTENTS

SUBJECT

GENERAL SAFETY PRECAUTIONS

MACHINE LABELS

MACHINE SPECIFICATIONS

INTRODUCTION

INSTALLATION

OPERATION

MAIN FRAME

HEAD

ELECTRICAL SYSTEM

LUBRICATION

TROUBLE - SHOOTING

TAPE CARTRIDGE

WARRANTY

ILLUSTRATED REPLACEMENT PARTS
TABLE OF CONTENTS

GENERAL SAFETY PRECAUTIONS

BEFORE INSTALLING, OPERATING OR SERVICING THIS EQUIPMENT, READ THE FOLLOWING PRECAUTIONS CAREFULLY:

- * ALWAYS DISCONNECT POWER AND AIR SUPPLY (IF APPLICABLE) BEFORE SERVICING THE MACHINE. REFER TO YOUR COMPANY'S LOCK OUT/TAG OUT PROCEDURES.
- * THIS MACHINE IS EQUIPPED WITH MOVING BELTS. DO NOT PLACE HANDS NEAR THE REAR OF THIS MACHINE WHEN BELTS ARE MOVING, AS FINGERS MAY BE PINCHED WHERE BELTS ENTER FRAME. (SEE MACHINE LABELS, NEXT PAGE) ALWAYS USE A ROLLER TYPE EXIT CONVEYOR AND ALWAYS REMOVE THE BOXES AFTER THEY CLEAR THE EXIT END OF THE MACHINE.
- * OBSERVE CAUTION WHEN NEAR CARTRIDGE KNIFE OR WHEN THREADING TAPE. (SEE MACHINE LABELS, NEXT PAGE) KNIFE IS VERY SHARP, AUTOMATICALLY OPERATED AND IS LINKED TO THE WIPE DOWN ROLLERS.
- * DO NOT ATTEMPT TO OPEN OR WORK ON ELECTRICAL BOX, JUNCTION BOXES, OR OTHER ELECTRICAL COMPONENTS WITHOUT FIRST DISCONNECTING POWER TO THE MACHINE. REFER TO YOUR COMPANY'S LOCK OUT / TAG OUT PROCEDURES. SHOCK HAZARD EXISTS IF POWER IS NOT DISCONNECTED. (SEE MACHINE LABELS, NEXT PAGE).
- * DO NOT BY-PASS ANY DESIGNED-IN SAFETY FEATURES SUCH AS INTERLOCKS, GUARDS OR SHIELDS.
- * DO NOT PLACE HANDS OR BODY INSIDE CONFINES OF UNIFORM TYPE MACHINES UNLESS HEAD IS SECURELY LOCKED AND POWER AND AIR ARE DISCONNECTED.
- * WHEN OPERATING A SEMI-AUTOMATIC MACHINE, HOLD BOX FLAPS DOWN AT TRAILING EDGE OF THE BOX. RELEASE HANDS AS SOON AS THE BELTS TAKE THE BOX.
- * DO NOT WEAR JEWELRY, LOOSE CLOTHING, SUCH AS TIES, SCARVES, ETC. AND LONG HAIR SHOULD BE PULLED BACK WHEN OPERATING THE MACHINE. (SEE MACHINE LABELS, NEXT PAGE).
- * SAFETY GLASSES SHOULD BE WORN WHEN WORKING ON OR AROUND THE MACHINE.
- * WHEN MOVING A MACHINE WITH CASTERS OPTION, HEAD SHOULD BE IN THE LOWEST POSSIBLE POSITION. ALWAYS MOVE MACHINE IN THE SAME DIRECTION AS THE LONG AXIS, NEVER PUSH MACHINE IN DIRECTION OF THE SHORT AXIS. SEE FOOTPRINT DRAWING.
- * MACHINE LABELS (SEE NEXT PAGE) ARE PLACED ON THE MACHINE FOR YOUR SAFETY. LABELS SHOULD BE INTACT AND LEGIBLE. REPLACE LABELS IF THEY ARE WORN, DAMAGED, PEELING, OR ILLEGIBLE.

MACHINE SPECIFICATIONS

MACHINE DIMENSIONS:

HEIGHT:	61.5 inches	1562.1 mm
WIDTH:	38 inches	965.2 mm
LENGTH:	56 inches	1422.4 mm (with front pack table)

TABLE HEIGHT (adjustable):

MINIMUM:	22.5 inches	571.5 mm
MAXIMUM:	28.5 inches	723.9 mm

ELECTRICAL:

STANDARD:	115V/1/60 240V/1/50
OPTIONAL:	220V/1/50,60 220V/3/50,60 380V/3/50 440V/3/50 440V/3/60

BOX CAPACITY:

LENGTH:	4.5 inches to unlimited max.	114.3 mm to unlimited max.
WIDTH:	5.5 inches to 27 inches	139.7 mm to 685.8 mm
HEIGHT:	4.5 inches to 24 inches	114.3 mm to 609.6 mm

OPERATING SPEED:

BELT SPEED:	80 ft / min.	18 m/min.
NUMBER OF BOXES/MIN.:	VARIES WITH BOX SIZE	

CLOSURE MATERIAL - PRESSURE SENSITIVE TAPE

WIDTH:	1.5 inches to 2 inches	38 mm to 50 mm
MAX. ROLL DIAMETER:	15 inches	380 mm
WEIGHT: (uncrated)	180 lbs.	81 kg.

INTRODUCTION

THE LITTLE DAVID LDXCRS UNIFORM PRESSURE SENSITIVE TAPER IS DESIGNED TO TAPE TOP AND BOTTOM FLAPS OF A WIDE VARIETY OF BOX SIZES. AFTER MANUALLY ADJUSTING THE MACHINE FOR THE BOX SIZE, THE OPERATOR ONLY HAS TO FOLD THE FLAPS AND PUSH THE BOX INTO THE MACHINE AFTER WHICH THE MACHINE WILL TAPE THE TOP AND BOTTOM FLAPS AND DISCHARGE THE BOX.

THE SIMPLE BUT SOPHISTICATED DESIGN INSURES A MINIMUM OF MAINTENANCE PROBLEMS AND THE MACHINE CAN BE EASILY OPERATED BY UNSKILLED OPERATORS. DUE TO ITS SMALL SIZE AND SIMPLE PLUG-IN CONNECTION, IT CAN BE QUICKLY MOVED TO THE AREA WHERE IT IS NEEDED. IT MAY STAND ALONE OR IF DESIRED, BE INCORPORATED IN A CONVEYOR SYSTEM.

THE FINEST MATERIALS AND WORKMANSHIP HAVE BEEN EMPLOYED TO INSURE SATISFACTION. IF ADJUSTMENTS OR REPAIRS BECOME NECESSARY YOU WILL FIND SIMPLE INSTRUCTIONS OUTLINED IN THIS MANUAL. IF A PROBLEM OCCURS WHICH IS NOT COVERED IN THE MANUAL, PLEASE TELEPHONE OUR SERVICE DEPARTMENT AT:

LOVESHAW CORPORATION
2206 EASTON TURNPIKE, BOX 83
SOUTH CANAAN, PA 18459
PHONE: 1-800-962-2633 / 570-937-4921

LOVESHAW - EUROPE
UNIT 9 BRUNEL GATE
WEST PORTWAY INDUSTRIAL ESTATE
ANDOVER, HAMPSHIRE SP10 3SL
ENGLAND

OR YOUR NEAREST LITTLE DAVID DISTRIBUTOR

INSTALLATION

FOR DOMESTIC CUSTOMERS ONLY - THE LITTLE DAVID IS SHIPPED COMPLETELY ASSEMBLED.

THE LITTLE DAVID IS READY FOR OPERATION AFTER PLUGGING IT INTO AN APPROPRIATE GROUNDED ELECTRICAL OUTLET. THE CONNECTION CABLE IS LOCATED ON THE SIDE OF THE MACHINE.

THE HEIGHT OF THE MACHINE CAN BE ADJUSTED FROM 22.5 INCHES TO 28.5 INCHES (571.5 mm to 723.9 mm) BY ADJUSTING THE HEIGHT OF THE LEG EXTENSIONS.

THE MACHINE SHOULD BE PLACED ON A FLAT LEVEL FLOOR SO THAT IT DOES NOT ROCK. DUE TO ITS PORTABILITY AND EASY PLUG-IN CONNECTION, THE MACHINE MAY BE QUICKLY MOVED TO VARIOUS LOCATIONS AS THE NEED ARISES. OPTIONAL CASTERS ARE AVAILABLE, IF REQUIRED. THERE ARE HOLES PROVIDED IN THE LEG EXTENSION PADS FOR ANCHORING, IF REQUIRED.

AN OPTIONAL INFEED TABLE CAN BE INSTALLED AT THE INFEED END OF THE MACHINE, HOWEVER, A CONVEYOR MAY BE USED INSTEAD. THE INFEED TABLE CAN BE USED SO THAT THE PACKER CAN FILL THE BOXES AND CLOSE THE FLAPS PRIOR TO FEEDING THE BOXES IN THE MACHINE. A CONVEYOR SHOULD BE PROVIDED AT THE OUT FEED END OF THE MACHINE TO RECEIVE THE BOXES AS THEY ARE DISCHARGED FROM THE MACHINE. **IMPORTANT: BE SURE THE TABLE AND CONVEYOR ARE 1/4" (6 mm) BELOW THE MACHINE BELT HEIGHT.**

OPERATION

AFTER THE TAPE CARTRIDGES ARE LOADED, THE MACHINE IS READY TO SEAL BOXES. PLACE A SAMPLE BOX OF THE SIZE TO BE SEALED ON THE INFEED TABLE, FOLD THE FLAPS AND PUT JUST IN FRONT OF THE TOP TAPE CARTRIDGE. RELEASE THE SIDE RAILS BY TURNING THE SIDE RAIL LOCK HAND WHEEL COUNTERCLOCKWISE AND MOVE THE SIDE RAILS IN UNTIL BOTH RAILS ARE IN CONTACT WITH THE BOX. LOCK THE SIDE RAILS BY TURNING THE HAND WHEEL CLOCKWISE. RELEASE THE HEAD LOCK HAND WHEEL COUNTERCLOCKWISE. LOWER THE HEAD UNTIL IT MAKES CONTACT WITH THE BOX; THEN PUT A SLIGHT ADDITIONAL PRESSURE ON THE BOX. LOCK THE HEAD BY TURNING THE HEAD LOCK HAND WHEEL CLOCKWISE.

START THE MACHINE WITH THE START SWITCH LOCATED ON THE OPERATOR SIDE OF THE MACHINE. NOW THE SAMPLE BOX WILL BE TAPED AND DISCHARGED. THE MACHINE IS NOW READY TO PROCESS BOXES.

THE PACKER SHOULD FOLD THE BOX FLAPS IN THE NORMAL MANNER AND **WHILE HOLDING THEM CLOSED ON THE REAR OF THE BOX**, SHOULD FEED THE BOX INTO THE MACHINE UNTIL THE BELTS TAKE IT FROM HIM. THE MACHINE WILL SEAL THE TOP AND BOTTOM FLAPS AND DISCHARGE THE BOX TO THE OUT FEED CONVEYOR AUTOMATICALLY.

MAIN FRAME

STARTER SWITCH:

THE STARTER SWITCH IS MOUNTED ON THE OPERATOR SIDE OF THE MACHINE. IT INCORPORATES A CIRCUIT BREAKER THAT IS SET TO TRIP AT THE PROPER RATING OF THE MOTOR. TO REPLACE THIS SWITCH, FIRST DISCONNECT THE MACHINE FROM THE ELECTRICAL SUPPLY. REMOVE THE SWITCH BY LOOSENING SCREWS HOLDING THE ENCLOSURE CLOSED. REMOVE ENCLOSURE TO EXPOSE MOTOR STARTER. REMOVE THE WIRES, FIRST NOTING THEIR CONNECTIONS TO THE SWITCH. SLIDE SWITCH SIDEWAYS AND UP TO REMOVE.

TO REPLACE THE STARTER SWITCH, REVERSE THE ABOVE PROCEDURE.

SIDE RAILS:

THE SIDE RAILS CENTER AND ALIGN THE BOX AS IT IS BEING PROCESSED. THEY ARE SET MANUALLY BY LOOSENING THE SIDE RAIL LOCK HAND KNOB COUNTERCLOCKWISE. MOVE THE SIDE RAILS IN UNTIL BOTH SIDE RAILS COME IN CONTACT WITH THE BOX. RELock THE SIDE RAILS BY TURNING THE SIDE RAIL LOCK HAND KNOB CLOCKWISE.

BELTS:

TWO ENDLESS BELTS LOCATED ON THE BED OF THE MACHINE DRIVE THE BOX THROUGH THE MACHINE. THE BELTS RUN OVER A DRIVE ROLLER LOCATED AT THE EXIT END OF THE MACHINE, AND ARE POSITIONED OVER THE INFEED ROLLERS LOCATED AT THE INFEED END.

TO REPLACE BELT, PULL OUT BELT TENSION HANDLE TO REMOVE TENSION. SLIDE BELT OFF OF FRONT ROLLER AND THEN OFF REAR DRIVE ROLLER TO REMOVE. TO INCREASE/DECREASE TENSION WHEN HANDLE IS IN OUT POSITION ROTATE TENSION KNOB TO CHANGE TENSION. REPLACE BELT MAKING SURE IT IS POSITIONED IN BELT GUIDE TRACK. CLOSE HANDLE MAKING SURE NOT TO OVER TENSION BELTS.

EACH BELT IS REPLACED SEPARATELY, HOWEVER, IT IS RECOMMENDED THAT BOTH BELTS BE REPLACED AT THE SAME TIME. IT IS IMPORTANT THAT FACTORY SUPPLIED BELTS BE USED SINCE THEY ARE OF SPECIAL CONSTRUCTION.

HEAD

THE HEAD RIDES ALONG THE MAST ON BEARINGS AND HIGH DENSITY POLYETHYLENE PADS. THE HEAD HEIGHT IS ADJUSTED BY TURNING THE HEAD VIBRATION LOCK KNOB COUNTERCLOCKWISE TO RELEASE THE HEAD. TURNING THE HAND CRANK CLOCKWISE WILL RAISE THE HEAD TO THE DESIRED POSITION.

BEARINGS:

IF ANY OF THE BEARINGS WHICH RUN AGAINST THE MAST NEED TO BE REPLACED, PROCEED AS FOLLOWS:

- DISCONNECT ELECTRICAL SUPPLY. PLACE A STURDY BOX/BLOCK ON BED OF MACHINE AND LOWER HEAD ONTO IT.
- REMOVE THE HARDWARE AND SNAP RINGS FROM THE SIDES OF THE HEAD TO REMOVE TROLLEY BEARINGS.
- BACK OFF NUTS BETWEEN BEARINGS WHILE TURNING THREADED SHAFT WITH A SCREW DRIVER UNTIL DEFECTIVE BEARING CAN BE REMOVED.
- REVERSE ABOVE PROCEDURE TO REPLACE BEARING.

WHENEVER THE BEARINGS HAVE BEEN CHANGED, THE CLEARANCE BETWEEN THE HEAD AND THE MAST MUST BE RE-ALIGNED. THE CLEARANCE BETWEEN THE TEFLON SLIDES AND THE SIDES OF THE MAST SHOULD BE ADJUSTED TO APPROXIMATELY .020" (.5 mm). THIS SHOULD BE CHECKED THROUGH THE HEADS RANGE OF TRAVEL TO INSURE THAT THIS CLEARANCE EXISTS AT THE HIGH POINTS OF THE MAST.

THE CLEARANCE BETWEEN THE BEARINGS AND THE FRONT AND REAR SURFACES OF THE MAST SHOULD BE SUCH THAT THE HEAD MOVES FREELY AND DOES NOT COCK OR SAG.

ELECTRICAL SYSTEM

THE ELECTRICAL SYSTEM CONSISTS OF A FRACTIONAL HP DRIVE MOTOR AND THE STARTER SWITCH. THE MOTOR AND FRAME ARE GROUNDED THROUGH THE ELECTRICAL CONNECTOR.

THE CIRCUIT BREAKER IS FACTORY SET. IF IT TRIPS, IT SHOULD BE RESET AFTER INSPECTION OF THE ELECTRICAL SYSTEM.

WARNING: THE INSPECTION OF THE ELECTRICAL SYSTEM SHOULD BE DONE BY A QUALIFIED ELECTRICIAN ONLY!

LUBRICATION

ALL MECHANICAL PARTS ON THE LITTLE DAVID ARE PERMANENTLY LUBRICATED AND SEALED BEARINGS ARE USED THROUGHOUT.

THE REDUCER IS A SEALED UNIT.

THE MAST SHOULD BE CLEANED AND SPRAYED WITH A SILICONE LUBRICANT - THIS SHOULD BE DONE ON A WEEKLY BASIS TO ENSURE FREE MOVEMENT OF THE HEAD.

TROUBLE SHOOTING

TAPING DIFFICULTIES:

1. TAPE DOES NOT ADHERE WELL TO BOX:

1. CHECK THAT BOX IS NOT WAXY OR OILY.
2. CHECK THAT BOX IS PROPERLY CUT AND SCORED SO THAT THE FLAPS DO NOT OVERLAP. IF THE TAPE ADHERES TO THE TOP AND BOTTOM BUT NOT TO THE END PANELS, THE BOX MAY BE SKEWED FORMING A PARALLELOGRAM. IF THIS CONDITION EXISTS, BRING IT TO THE ATTENTION OF YOUR BOX SUPPLIER.
3. CHECK THE PRESSURE ON THE WIPE DOWN ROLLERS. IF NECESSARY, INCREASE THE MAIN SPRING PRESSURE.
4. CHECK THAT THE SPRING IS NOT BROKEN.

2. TAPE END STICKS TO ITSELF OR MECHANISM:

1. CHECK THAT THERE IS NOT TOO MUCH DRAG ON THE TAPE CAUSING STRETCHING AND SNAP BACK AT CUT OFF. REDUCE THE TAPE CORE DRAG SETTING.
2. CHECK THE TAPE THREADING PATH.
3. CHECK FOR DEFECTIVE TAPE ROLL BY PULLING TAPE OFF MANUALLY. THE PULL SHOULD BE EVEN AND NOT VARY SUDDENLY.
4. CHECK TAPE GUIDE PLATE SETTING AND FREEDOM OF MOVEMENT.
5. CHECK ROLLER FOR BINDING.

3. TAPE BREAKS OR JAMS:

1. CHECK THE TAPE ROLL BY PULLING TAPE OFF MANUALLY. THE PULL SHOULD BE EVEN AND SHOULD NOT VARY SUDDENLY.
2. CHECK THE TAPE CORE DRAG SETTING.
3. CHECK THE TAPE THREADING PATH.
4. CHECK FOR NICKS IN EDGE OF TAPE ROLL. PULL OFF DAMAGED TAPE.
5. TAPE TENSION SET TOO HIGH.

4. TAPE WRINKLES:

1. CHECK THE TAPE ROLL BY PULLING TAPE OFF MANUALLY. THE PULL SHOULD BE EVEN AND SHOULD NOT VARY SUDDENLY.
2. CHECK THE PRESSURE OF THE WIPE DOWN ROLLERS. TOO MUCH OR NO PRESSURE MAY CAUSE WRINKLES. PRESSURE THAT IS TOO GREAT MAY DEPRESS THE FLAPS CAUSING PROBLEMS. IF NECESSARY, RE-ADJUST THE PRESSURE.
3. CHECK THAT ALL THE ROLLERS TURN FREELY ON THEIR SHAFTS.
4. CHECK THE BOX CONTENTS. PARTIALLY FULL BOXES OR VERY COMPRESSIBLE CONTENTS MAY ALLOW THE FLAPS TO DEPRESS EXCESSIVELY CAUSING WRINKLES.
5. CHECK THE DRAG OF THE TAPE. TOO MUCH DRAG MAY CAUSE OVERRUNNING OF THE TAPE ROLL. ADJUST THE TAPE CORE DRAG SETTING.
6. TAPE TENSION SET TOO HIGH.
7. CHECK ROLLER STOP INSIDE CARTRIDGE.
8. CHECK THAT THE TAPE IS PROPERLY THREADED AND THAT TAPE CORE IS PROPERLY CENTERED.

TROUBLE SHOOTING

9. CHECK THE PRESSURE OF THE HEAD AGAINST THE BELTS AND HESITATE AS IT IS BEING FED THROUGH THE MACHINE. ADJUST THE HEAD HEIGHT.
 10. CHECK THAT THE BELTS ARE NOT SLIPPING.
 11. CHECK ADJUSTMENT OF THE GUIDE PLATE AND FINGER PLATE.
5. SHORT TAPE TAB ON BOX:
1. CHECK TAPE TENSION.
 2. CHECK ROLLERS FOR BINDING.
6. TAPE NOT BEING WIPED ON BOTTOM OF BOX:
- THERE ARE LARGE ECCENTRIC STOPS THAT ARE FACTORY SET TO INSURE THAT FRONT ROLLER ARM CANNOT BE DEPRESSED BELOW BOX HEIGHT. THEY ARE LOCATED INSIDE CARTRIDGE ON BOTH SIDES. WHEN FULLY DEPRESSED, FRONT WIPE ROLLER SHOULD PROTRUDE 3/32" ABOVE CARTRIDGE FRAME. IF THIS NEEDS ADJUSTING, ROTATE THE ECCENTRIC STOPS. USE BOTH STOPS AND MAKE SURE ROLLER ARM CONTACTS FLAT SURFACES. WHEN PROCESSING BOXES LESS THAN 5" HIGH, THE ECCENTRIC STOPS MUST BE MOVED TO THE OPPOSITE HOLE IN THE CARTRIDGE FRAME. THE FRONT ROLLER SHOULD THEN PROTRUDE TO BELT LEVEL.
7. TAPE NOT CUTTING:
1. CHECK KNIFE ARM FOR MECHANICAL BINDING.
 2. CHECK THAT KNIFE IS NOT DULL.
 3. CHECK SPRINGS ON KNIFE STUDS.
 4. CHECK BUSHINGS IN KNIFE STUDS.
 5. IF KNIFE STOP BLOCK IS CAUSING FRICTION ON KNIFE STUDS, ROTATE UNTIL FREE.
 6. TAPE TENSION IS SET TOO LOW.
8. TAPE NOT CENTERED ON BOX:
1. USE SCREW IN CENTER OF TAPE CORE TO RE-ALIGN.
9. TAPE NOT BEING WIPED:
1. CHECK MAIN SPRING.
 2. TAPE TENSION IS SET TOO HIGH.

BOX PROBLEMS:

BOXES JAMMING IN MACHINE:

1. JAM CLEARING PROCEDURE:

1. STOP MACHINE.
2. OPEN SIDE RAILS AND RAISE HEAD.
3. REMOVE JAMMED BOXES. CUT TAPE FLUSH WITH END OF WIPE ROLLER.
4. RESET HEAD AND SIDE RAILS TO A SAMPLE SIZE BOX.
5. START MACHINE. MACHINE IS NOW READY TO PROCESS THE NEXT BOX.

2. INCORRECT BOX SIZE OR SHAPE:

1. CHECK BOXES TO MAKE SURE THE SIZE FALLS WITHIN THE LIMITS OF THE MACHINE.
2. MACHINE WILL NOT PROCESS UNSTABLE BOXES.

3. CONTENTS BULGING THROUGH TOP OF BOX:

1. CHECK TO BE SURE BOX IS NOT OVERFILLED WITH CONTENTS.

4. BOX SLIPPING AGAINST BELTS:

1. INCREASE HEAD PRESSURE.

5. SIDE RAIL PRESSURE TOO HIGH:

1. OPEN SIDE RAILS SLIGHTLY.

6. HEAD PRESSURE TOO HIGH:

1. RAISE HEAD SLIGHTLY.

BELT DRIVE PROBLEMS:

CHECK THAT MACHINE IS CONNECTED TO A LIVE ELECTRICAL SOURCE.

1. BELTS SLIP:

1. RAISE HEAD SLIGHTLY.
2. CHECK BELT TENSIONING. INCREASE IF NECESSARY.

2. BOX SLIPS AGAINST BELTS:

1. LOWER HEAD SLIGHTLY TO INCREASE PRESSURE ON BOX.

3. BELTS RUB AGAINST FRAME:

1. CHECK THAT BELTS ARE POSITIONED CORRECTLY IN BETWEEN THE BELT GUIDE.

TAPE CARTRIDGE

TAPE TENSION ROLLER:

THE TAPE TENSION ROLLER MAINTAINS CONSTANT TENSION THROUGHOUT THE LIFE OF THE TAPE ROLL. IT HAS A ONE-WAY CLUTCH TO PREVENT PULL BACK ON TAPE. TURNING THE NYLOK NUT CLOCKWISE INCREASES THE TENSION. COUNTERCLOCKWISE DECREASES TENSION. TOO MUCH TENSION WILL CAUSE PROBLEMS.

WIPE DOWN ROLLERS:

THE RUBBER WIPE DOWN ROLLERS WIPE THE TAPE ONTO THE BOX AS IT PASSES THROUGH THE MACHINE. THE FRONT ROLLER HAS A ONE-WAY CLUTCH TO PREVENT KICKBACK OF TAPE. THE PRESSURE EXERTED BY THE ROLLERS IS ADJUSTABLE BY CHANGING THE POSITION OF THE MAIN SPRING TO A DIFFERENT HOLE ON THE MAIN TIE BAR. THE PRESSURE SHOULD BE SUFFICIENT TO OBTAIN A GOOD WIPE. TOO MUCH PRESSURE CAN CAUSE PREMATURE WEAR. PRESSURE SHOULD BE REDUCED WITH UNDER FILL OR COMPRESSIBLE CONTENTS.

TAPE GUIDE PLATE:

THE TAPE IS GUIDED TO THE FRONT ROLLER BY THE GUIDE PLATE. THE FLAT PORTION OF THIS PLATE MUST BE TANGENT TO THE RUBBER ROLLER FOR PROPER FUNCTION. THIS IS ADJUSTABLE BY ROTATING THE ECCENTRIC STOP IT BEARS AGAINST. THE TAPE GUIDE PLATE IN CONJUNCTION WITH THE FINGER PLATE FORMS THE TAPE WHICH ALLOWS IT TO STAND UP. THE TAPE GUIDE PLATE MOVES AS THE BOX PASSES, TO FORM A CORNER. THIS ENSURES SMOOTH TIGHT TAPE APPLICABLE TO THE LEADING CORNER OF THE BOX.

FINGER PLATE:

THE FINGER PLATE PRESSES AGAINST THE ADHESIVE SIDE OF THE TAPE AND FORCES THE TAPE TO TAKE THE SHAPE OF THE TAPE GUIDE PLATE. IT IS IMPORTANT THAT THE FINGERS JUST MAKE CONTACT WITH THE TAPE GUIDE PLATE, WHEN THERE IS NO TAPE IN CARTRIDGE. IF AN ADJUSTMENT IS NECESSARY GENTLY BEND THE FINGERS NEAR THE TIPS. ONLY BEND A SMALL AMOUNT, THEN CHECK. FINGERS MUST CONTACT PLATE. WHEN THE GUIDE PLATE IS MOVED THE FINGERS SHOULD NOT FOLLOW. NOTE: FINGERS SHOULD BE ABLE TO MOVE 1/8" AWAY FROM PLATE.

KNIFE ARM:

THE KNIFE ARM IS MOUNTED AT AN ANGLE TO CUT THE TAPE LIKE A SCISSORS. A STUD LOCATED ON THE MOUNTING BLOCK TO PREVENT INCORRECT REPLACEMENT OF KNIFE. THE KNIFE SHOULD BE CLEANED PERIODICALLY USING A RAG AND CLEANING FLUID. DO NOT USE A WIRE BRUSH OR OTHER ABRASIVE DEVICE. THE KNIFE ARM SHOULD BE ADJUSTED SO THAT THE TIPS OF THE KNIFE ARM ARE 2 1/2" FROM THE CARTRIDGE FRAME. THIS CAN BE ADJUSTED BY LOOSENING THE SMALL NUT ON THE KNIFE ARM STUD AND ROTATING THE STUD UNTIL THE LARGE NUT CONTACTS THE BUMPER AT THE DESIRED SETTING. KNIFE ARM TENSION IS CONTROLLED BY THE COMPRESSION SPRING ON THE STUD. TIGHTEN THE NYLOK NUT FOR GREATER TENSION. ALWAYS POWER DOWN MACHINE FIRST.

LOADING TAPE:

TOP TAPE:

1. RETRACT DETENT WITH RIGHT HAND.
2. WITH LEFT HAND, GRAB CARTRIDGE NEAR TAPE CORE AND ROTATE UP/BACK.
3. LOAD TAPE ON TAPE CORE.
4. FOLD TAPE ON ITSELF TO PREVENT ADHESIVE FROM GRABBING CARTRIDGE (ABOUT 1 FT. IN LENGTH).
5. THREAD AS PER DIAGRAM LOCATED ON TAPE CARTRIDGE.
6. ROTATE REAR ROLLER ARM TO EXPOSE KNIFE.
7. PULL EXCESS TAPE ACROSS KNIFE TO CUT OFF FOLDED TAPE.
8. RELEASE REAR ROLLER ARM.
9. GRAB TAPE ROLL WITH LEFT HAND AND ROTATE CARTRIDGE UNTIL IT CONTACTS DETENT. MAINTAIN GRIP OF TAPE ROLL WITH LEFT HAND WHILE RETRACTING DETENT WITH RIGHT HAND. LOWER CARTRIDGE INTO PLACE.

BOTTOM TAPE:

1. GRAB REAR ROLLERS.
2. GRAB FRONT SHAFT OF CARTRIDGE.
3. RAISE REAR OF CARTRIDGE AND MOVE CARTRIDGE UP AND OUT OF MACHINE.
4. THREADING IS THE SAME AS TOP CARTRIDGE.
5. GRABBING THE CARTRIDGE BY REAR ROLLER AND FRONT SHAFT, ANGLE FRONT OF CARTRIDGE ONTO MOUNTING BOLTS AND THEN LOWER REAR OF CARTRIDGE.

Little David® Warranty

For: All Standard Little David® Semi-Automatic Case Sealers.
All Standard LD-16 Series Fully Automatic Case Sealers.
All Special Application Case Sealers (Fully & Semi-Automatic).

2 YEAR WARRANTY ON DRIVE MOTOR
2 YEAR WARRANTY ON GEAR MOTOR

2 YEAR WARRANTY ON GEAR REDUCER
3 YEAR WARRANTY ON TAPE CARTRIDGE

(EXCEPT FOR MOVING PARTS THAT ARE SUBJECT TO NORMAL WEAR, TEAR AND REPLACEMENT, WHICH ARE WARRANTED ONLY TO BE FREE FROM DEFECTS IN MATERIAL AND WORKMANSHIP.)

1 YEAR ON PLC
1 YEAR ON SERVO DRIVE
1 YEAR ALL OTHER PARTS

(EXCEPT FOR WEAR AND MOVING PARTS.)

*LIMITED WARRANTY – **LOVESHAW**, AN **ITW** COMPANY (HEREIN AFTER “**LOVESHAW**”) WARRANTS ONLY THAT THE GOODS SOLD BY IT SHALL BE FREE FROM DEFECTS IN MATERIAL AND WORKMANSHIP, UNDER PROPER AND NORMAL USE AND MAINTENANCE, AS FOLLOWS:

DRIVE MOTOR - 2 YEARS
GEAR REDUCER - 2 YEARS
GEAR MOTOR - 2 YEARS
TAPE CARTRIDGE - 3 YEARS

(THIS APPLIES TO SIDE BELTS ONLY)
(EXCEPT FOR MOVING PARTS THAT ARE SUBJECT TO NORMAL WEAR, TEAR AND REPLACEMENT, WHICH ARE WARRANTED ONLY TO BE FREE FROM DEFECTS IN MATERIAL AND WORKMANSHIP.)

PLC - 1 YEAR
SERVO DRIVE - 1 YEAR
ALL OTHER PARTS - 1 YEAR

(EXCEPT FOR MOVING PARTS THAT ARE SUBJECT TO NORMAL WEAR, TEAR AND REPLACEMENT, WHICH ARE WARRANTED ONLY TO BE FREE FROM DEFECTS IN MATERIAL AND WORKMANSHIP.)

THE WARRANTY PERIOD SHALL COMMENCE AS OF THE DATE OF DELIVERY TO THE PURCHASER. THE OBLIGATION OF LOVESHAW UNDER THIS WARRANTY IS STRICTLY LIMITED TO THE COST OF REPAIRING OR REPLACING, AS LOVESHAW MAY ELECT, ANY PART OR PARTS THAT PROVE IN LOVESHAW'S JUDGMENT TO HAVE BEEN DEFECTIVE IN MATERIAL OR WORKMANSHIP AT THE TIME THE GOODS WERE SHIPPED FROM LOVESHAW'S PLANT. ANY WARRANTY CLAIM NOT MADE IN WRITING TO LOVESHAW AT ITS HOME OFFICE WITHIN THE APPLICABLE WARRANTY PERIOD AND WITHIN 10 DAYS OF FAILURE WILL NOT BE VALID. THIS IS THE SOLE AND EXCLUSIVE REMEDY AVAILABLE UNDER THIS WARRANTY. UNDER NO CIRCUMSTANCES WILL LOVESHAW BE LIABLE FOR INCIDENTAL, SPECIAL OR CONSEQUENTIAL DAMAGES.

IF REQUESTED BY LOVESHAW, PURCHASER SHALL RETURN ANY DEFECTIVE PART OR PARTS TO LOVESHAW'S PLANT, FREIGHT PREPAID. ALL WARRANTY PART REPLACEMENTS /REPAIRS MUST BE MADE BY LOVESHAW OR A LOVESHAW AUTHORIZED TO HANDLE THE GOODS COVERED BY THIS WARRANTY. ANY OUTSIDE WORK OR ALTERATIONS DONE WITHOUT LOVESHAW'S PRIOR WRITTEN APPROVAL WILL RENDER THIS WARRANTY VOID. **LOVESHAW**, AN **ITW** COMPANY WILL NOT ASSUME ANY EXPENSE OR LIABILITY FOR ANY REPAIRS MADE TO ITS GOODS OUTSIDE ITS WORKS WITHOUT ITS PRIOR WRITTEN CONSENT. THIS WARRANTY SHALL NOT APPLY TO ANY ITEM THAT HAS NOT BEEN USED, OPERATED, AND MAINTAINED IN ACCORDANCE WITH LOVESHAW'S RECOMMENDED PROCEDURES LOVESHAW SHALL HAVE NO LIABILITY WHATSOEVER WHERE THE GOODS HAVE BEEN ALTERED, MISUSED, ABUSED OR INVOLVED IN AN ACCIDENT.

NO PERSON IS AUTHORIZED TO MAKE ANY WARRANTY OR TO CREATE ANY LIABILITY BINDING UPON LOVESHAW. WHICH IS NOT STATED IN THIS WARRANTY. THIS WARRANTY IS EXPRESSLY IN LIEU OF ALL OTHER WARRANTIES OF ANY KIND, EXPRESSED OR IMPLIED, WHICH ARE HEREBY EXCLUDED. IN PARTICULAR, THE IMPLIED WARRANTY OF MERCHANTABILITY, AS WELL AS THE IMPLIED WARRANTY OF FITNESS FOR A PARTICULAR PURPOSE ARE HEREBY EXCLUDED.

LOVESHAW AN ITW COMPANY

2206 EASTON TURNPIKE, BOX 83 SOUTH CANAAN, PA 18459
TEL: 570.937.4921 - 800.572.3434 - FAX: 570.937.3229

ILLUSTRATED REPLACEMENT PARTS
TABLE OF CONTENTS

FRAME ASSEMBLY

HEAD ASSEMBLY

 MAST ASSEMBLY

TOP SQUEEZER ASSEMBLY

SIDE RAIL ASSEMBLY

BELT DRIVE ASSEMBLY

BELT TENSION ASSEMBLY

ELECTRICAL ASSEMBLY

ELECTRICAL BOX ASSEMBLY

MOTOR ASSEMBLY

INFEED TABLE ASSEMBLY

EXIT TABLE ASSEMBLY

LEVELER PAD ASSEMBLY

CASTER ASSEMBLY

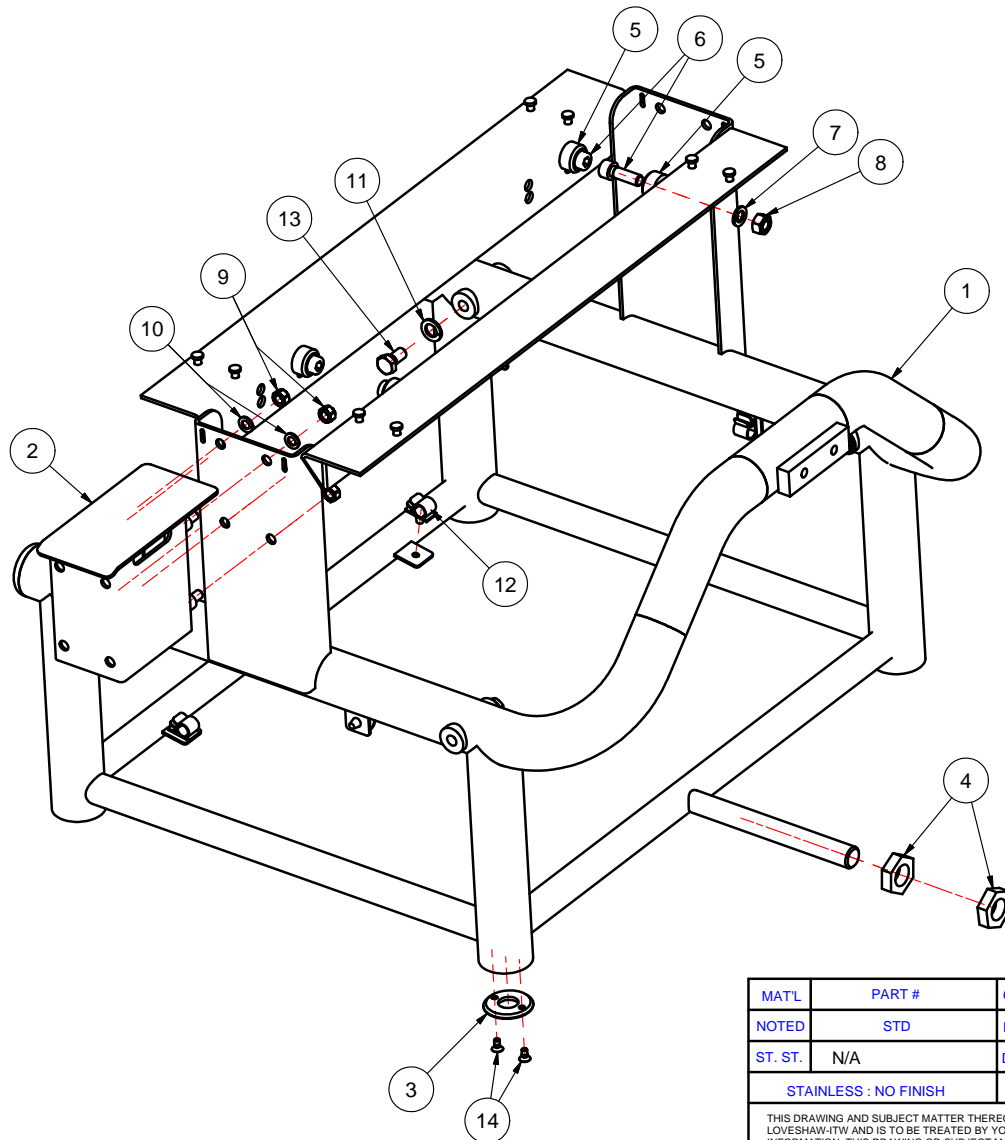
4

3

2

1

REVISION HISTORY			
REV	DESCRIPTION	DATE	BY
A	RELEASED	8/27/2008	KK



Parts List			
ITEM	QTY	PART NUMBER	DESCRIPTION
1	1	LDW-0001-6	FRAME, BASE
2	1	LDW-0017-5	FRAME, EXTENSION
3	4	LDW-0020-3	LEG PLUG WASHER
4	2	FHJNMLS	HEX JAM NUT S.S. M20
5	4	LDU-1163-3	CARTRIDGE STAND OFF
6	4	FSHMI035P88	SOC. HD. CAP SCREW M10 X 30
7	4	FLWMIP	LOCK WASHER M10
8	4	FHFNMIP	HEX NUT M10
9	4	FHFNMHS	HEX NUT S.S. M8
10	4	FLWMHP	LOCK WASHER M8
11	3	FLWMJP	LOCK WASHER M12
12	6	SPH-1306	WIRE CLIP
13	3	FHHMI020P88	HEX HD. CAP SCREW M10 X 20
14	8	FFHMF010P10	FL. HD. CAP SCREW M5 X 0.8 X 10 LG.

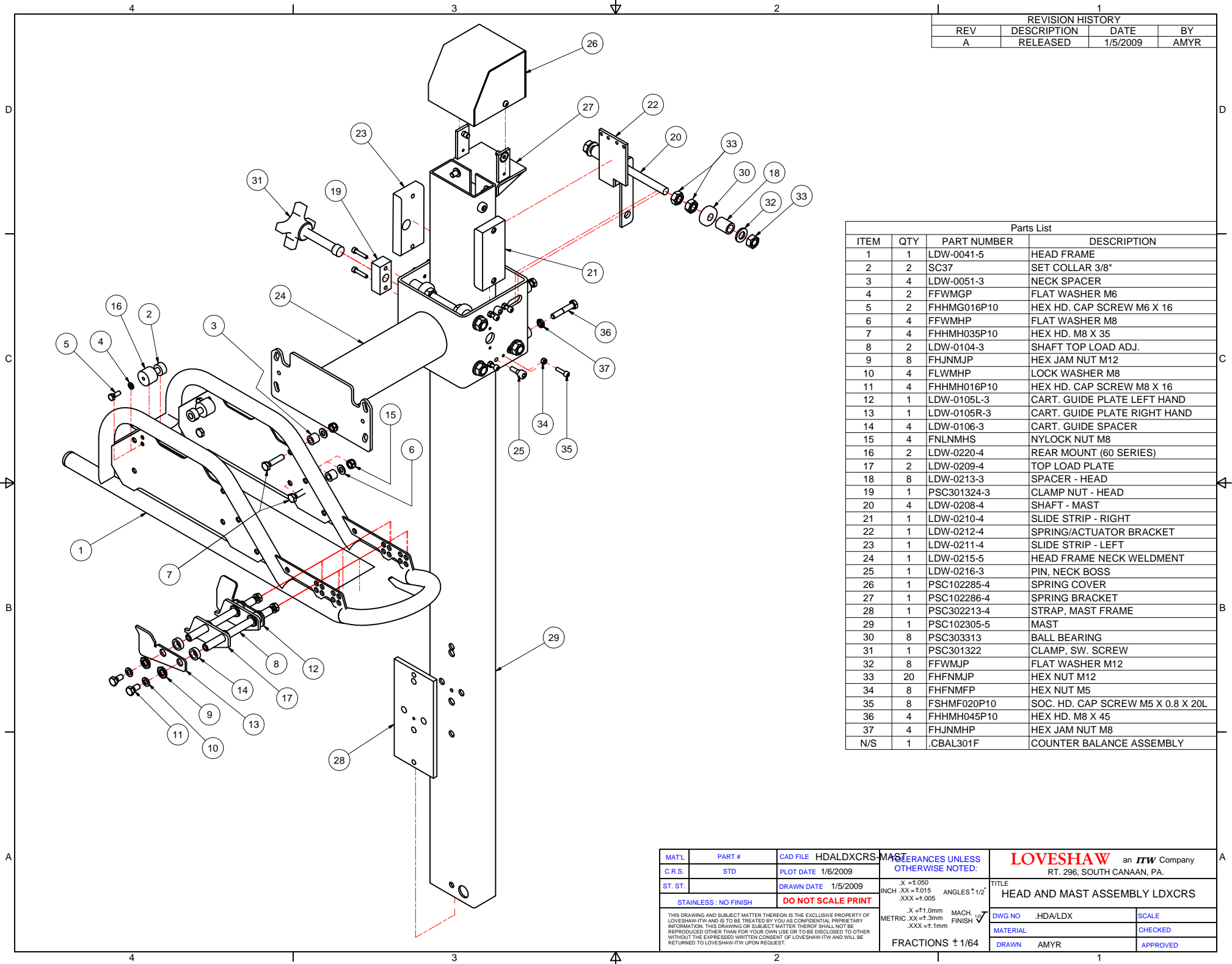
MATL	PART #	CAD FILE FRA LDX CRS.idw	TOLERANCES UNLESS OTHERWISE NOTED: .X =±.050 INCH .XX =±.015 ANGLES ±1/2° .XXX =±.005	LOVESHAW an ITW Company RT. 296, SOUTH CANAAN, PA. TITLE FRAME ASSEMBLY LDXCRS	
NOTED	STD	PLOT DATE 12/16/2008			
ST. ST.	N/A	DRAWN DATE 8/27/2008	.X =±1.0mm MACH. FINISH ✓ METRIC .XX =±.3mm .XXX =±.1mm	DWG NO .FRA/LDX	SCALE 1:4
STAINLESS : NO FINISH		DO NOT SCALE PRINT		MATERIAL NOTED	
THIS DRAWING AND SUBJECT MATTER THEREON IS THE EXCLUSIVE PROPERTY OF LOVESHAW-ITW AND IS TO BE TREATED BY YOU AS CONFIDENTIAL PROPRIETARY INFORMATION. THIS DRAWING OR SUBJECT MATTER THEREOF SHALL NOT BE REPRODUCED OTHER THAN FOR YOUR OWN USE OR TO BE DISCLOSED TO OTHER WITHOUT THE EXPRESSED WRITTEN CONSENT OF LOVESHAW-ITW AND WILL BE RETURNED TO LOVESHAW-ITW UPON REQUEST.			FRACTIONS ± 1/64	DRAWN KENK	APPROVED

4

3

2

1



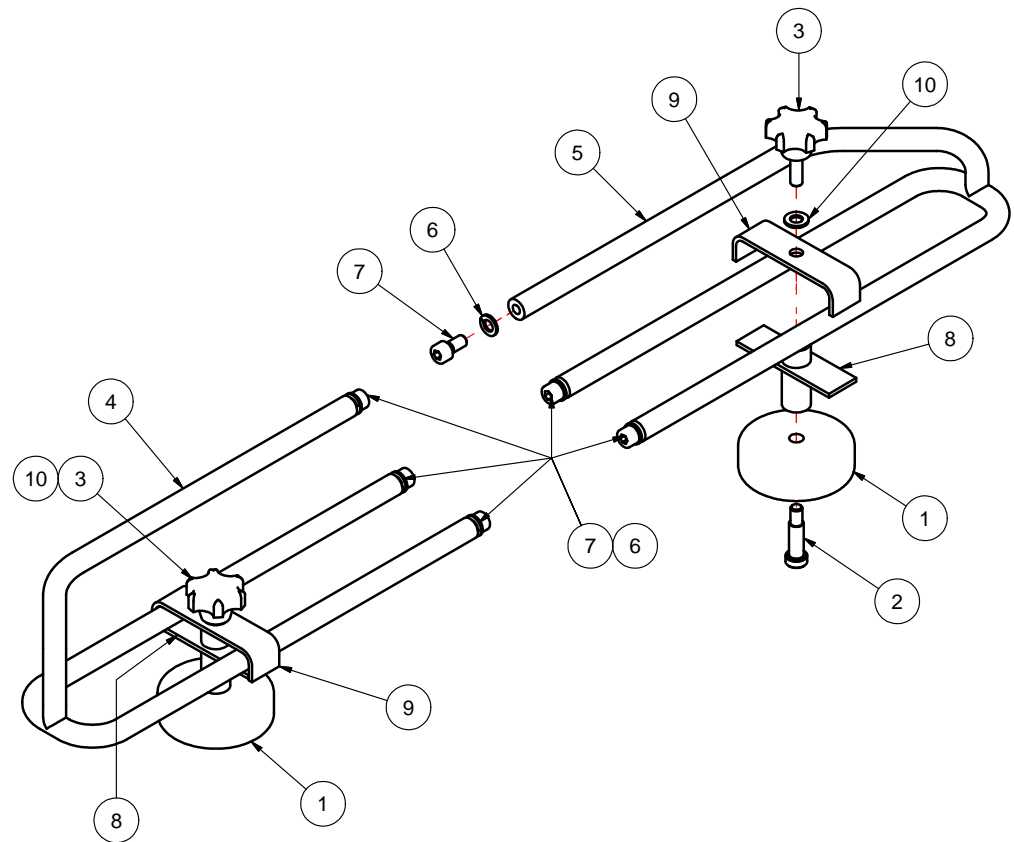
REVISION HISTORY			
REV	DESCRIPTION	DATE	BY
A	RELEASED	1/5/2009	AMYP

Parts List			
ITEM	QTY	PART NUMBER	DESCRIPTION
1	1	LDW-0041-5	HEAD FRAME
2	2	SC37	SET COLLAR 3/8"
3	4	LDW-0051-3	NECK SPACER
4	2	FFWMGP	FLAT WASHER M6
5	2	FHHMG016P10	HEX HD. CAP SCREW M6 X 16
6	4	FFWMHP	FLAT WASHER M8
7	4	FHHMH035P10	HEX HD. M8 X 35
8	2	LDW-0104-3	SHAFT TOP LOAD ADJ.
9	8	FHJNMJP	HEX JAM NUT M12
10	4	FLWMHP	LOCK WASHER M8
11	4	FHHMH016P10	HEX HD. CAP SCREW M8 X 16
12	1	LDW-0105L-3	CART. GUIDE PLATE LEFT HAND
13	1	LDW-0105R-3	CART. GUIDE PLATE RIGHT HAND
14	4	LDW-0106-3	CART. GUIDE SPACER
15	4	FNLNMHS	NYLOCK NUT M8
16	2	LDW-0220-4	REAR MOUNT (60 SERIES)
17	2	LDW-0209-4	TOP LOAD PLATE
18	8	LDW-0213-3	SPACER - HEAD
19	1	PSC301324-3	CLAMP NUT - HEAD
20	4	LDW-0208-4	SHAFT - MAST
21	1	LDW-0210-4	SLIDE STRIP - RIGHT
22	1	LDW-0212-4	SPRING/ACTUATOR BRACKET
23	1	LDW-0211-4	SLIDE STRIP - LEFT
24	1	LDW-0215-5	HEAD FRAME NECK WELDMENT
25	1	LDW-0216-3	PIN, NECK BOSS
26	1	PSC102285-4	SPRING COVER
27	1	PSC102286-4	SPRING BRACKET
28	1	PSC302213-4	STRAP, MAST FRAME
29	1	PSC102305-5	MAST
30	8	PSC303313	BALL BEARING
31	1	PSC301322	CLAMP, SW. SCREW
32	8	FFWMJP	FLAT WASHER M12
33	20	FHFNMJP	HEX NUT M12
34	8	FHFNMFP	HEX NUT M5
35	8	FSHMF020P10	SOC. HD. CAP SCREW M5 X 0.8 X 20L
36	4	FHHMH045P10	HEX HD. M8 X 45
37	4	FHJNMHP	HEX JAM NUT M8
N/S	1	.CBAL301F	COUNTER BALANCE ASSEMBLY

MATL	PART #	CAD FILE	HDALDXCRS-MAST
C.R.S.	STD	PLOT DATE	1/6/2009
ST. ST.		DRAWN DATE	1/5/2009
STAINLESS : NO FINISH		DO NOT SCALE PRINT	
<small> THIS DRAWING AND SUBJECT MATTER THEREON IS THE EXCLUSIVE PROPERTY OF LOVESHAW/ITW AND IS TO BE TREATED BY YOU AS CONFIDENTIAL PROPRIETARY INFORMATION. THIS DRAWING OR SUBJECT MATTER THEREOF SHALL NOT BE REPRODUCED OTHER THAN FOR YOUR OWN USE OR TO BE DISCLOSED TO OTHER WITHOUT THE EXPRESSED WRITTEN CONSENT OF LOVESHAW/ITW AND WILL BE RETURNED TO LOVESHAW/ITW UPON REQUEST. </small>			
X = ±0.050		ANGLES ±1/2°	
INCH .XX = ±0.015		MACH. FINISH ✓	
.XXX = ±0.005		METRIC .XX = ±0.3mm	
X = ±1.0mm		.XXX = ±0.1mm	
FRACTIONS ±1/64			

LOVESHAW an ITW Company RT. 296, SOUTH CANAAN, PA.	
TITLE	HEAD AND MAST ASSEMBLY LDXCRS
DWG NO	.HDA/LDX
MATERIAL	CHECKED
DRAWN	AMYP
SCALE	APPROVED

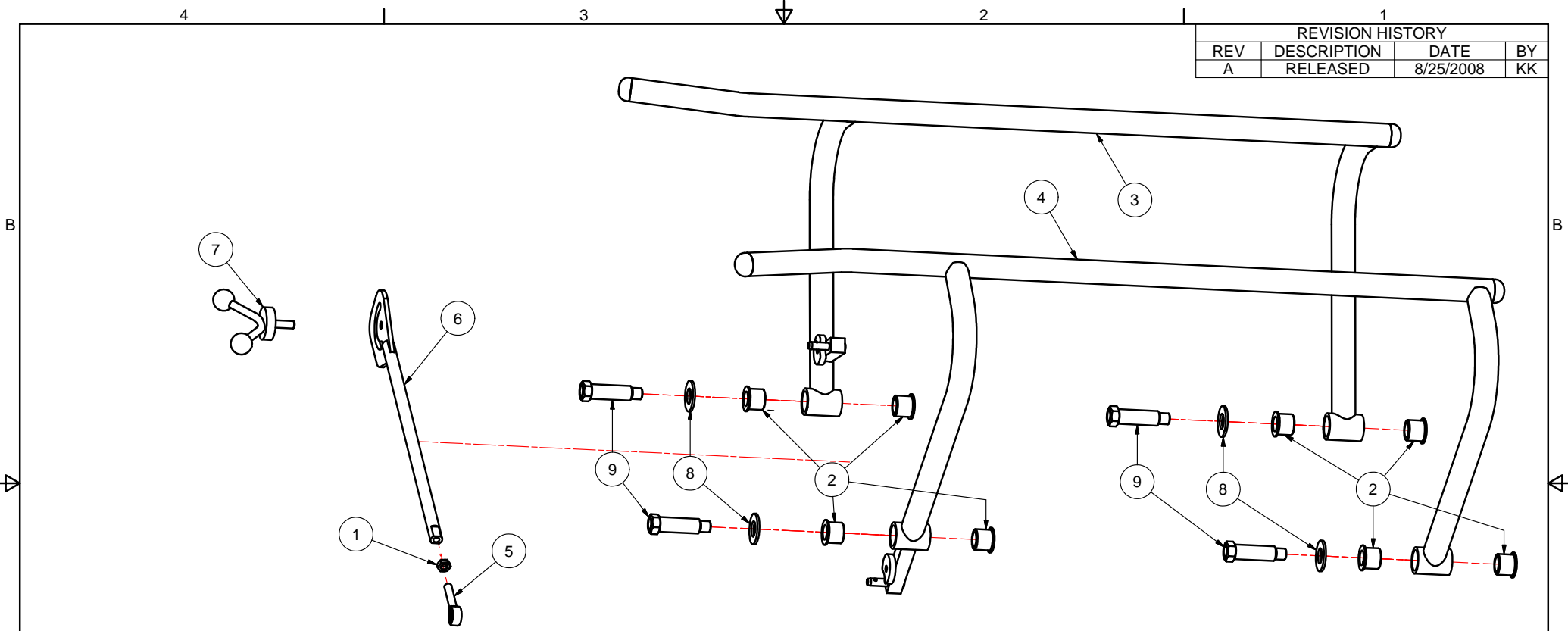
REVISION HISTORY			
REV	DESCRIPTION	DATE	BY
A	RELEASED	9/5/2008	KK



Parts List			
ITEM	QTY	PART NUMBER	DESCRIPTION
1	2	LDW-0093-3	SQUEEZER WHEEL
2	2	SPH-1237	SHOULDER BOLT
3	2	SPH-1300	KNOB
4	1	LDW-0113L-4	SQUEEZER FRAME LEFT
5	1	LDW-0113R-4	SQUEEZER FRAME RIGHT
6	6	FLWMHP	LOCK WASHER M8
7	6	FSMH016P10	SOC. HD. CAP SCREW M8 X 16
8	2	LDW-0230-4	BOTTOM BRACKET, SQUEEZER WHEEL
9	2	LDW-0229-4	TOP BRACKET, SQUEEZER WHEEL
10	2	FFWMHP	FLAT WASHER M8

MATL	PART #	CAD FILE TSALDXCRS.idw	TOLERANCES UNLESS OTHERWISE NOTED: .X = ±.050 INCH .XX = ±.015 ANGLES ±1/2° .XXX = ±.005 .X = ±1.0mm MACH. FINISH METRIC .XX = ±.3mm .XXX = ±.1mm	LOVESHAW an ITW Company RT. 296, SOUTH CANAAN, PA.	
NOTED	STD	PLOT DATE 12/16/2008		TITLE TOP SQUEEZER ASSEMBLY LDXCRS	
ST. ST.	N/A	DRAWN DATE 9/5/2008	STAINLESS : NO FINISH DO NOT SCALE PRINT <small>THIS DRAWING AND SUBJECT MATTER THEREON IS THE EXCLUSIVE PROPERTY OF LOVESHAW-ITW AND IS TO BE TREATED BY YOU AS CONFIDENTIAL PROPRIETARY INFORMATION. THIS DRAWING OR SUBJECT MATTER THEREOF SHALL NOT BE REPRODUCED OTHER THAN FOR YOUR OWN USE OR TO BE DISCLOSED TO OTHER WITHOUT THE EXPRESSED WRITTEN CONSENT OF LOVESHAW-ITW AND WILL BE RETURNED TO LOVESHAW-ITW UPON REQUEST.</small>	DWG NO .TSA/LDX	SCALE
				MATERIAL NOTED	CHECKED
			FRACTIONS ± 1/64	DRAWN KENK	APPROVED

REVISION HISTORY			
REV	DESCRIPTION	DATE	BY
A	RELEASED	8/25/2008	KK



Parts List			
ITEM	QTY	PART NUMBER	DESCRIPTION
1	1	FHJNSIP	HEX JAM NUT, 5/16-24
2	8	LDW-0078-3	BUSHING
3	1	LDW-0227-6(SS)	SIDE RAIL LH, SHORT
4	1	LDW-0228-6(SS)	SIDE RAIL RH, SHORT
5	1	PSC552(SS)	SPHERICAL ALIGN BEARING
6	1	LDW-0095-4(SS)	LINK BAR (FAN)
7	1	LDW-0122-4(SS)	SIDE RAIL LOCK KNOB
8	4	FFWSIS	WASHER, FLAT 5/8 S.S.
9	4	LDW-0129-3	BOLT, SIDE RAIL

(SS) - DENOTES STAINLESS STEEL PART.

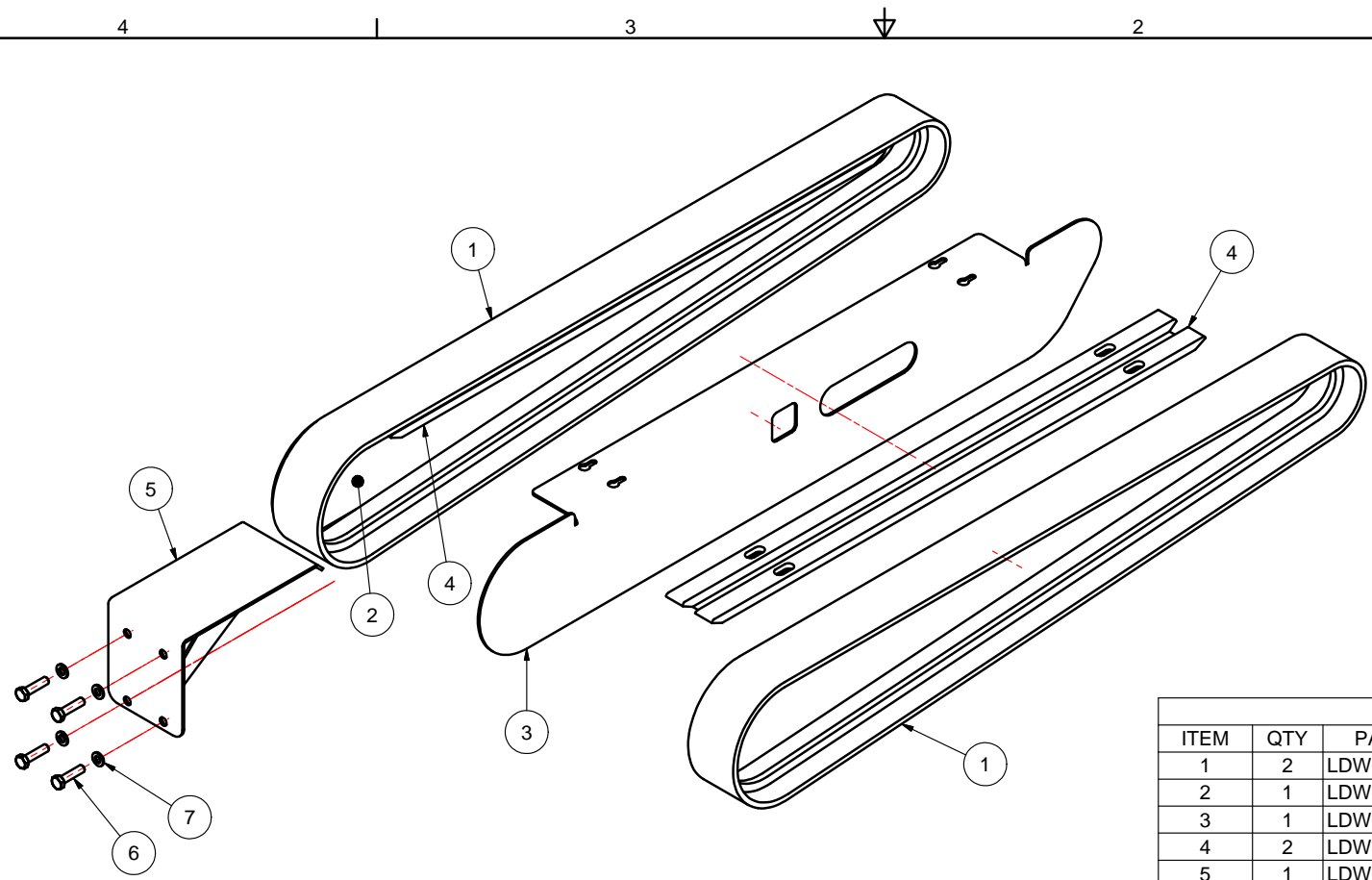
MATL	PART #	CAD FILE	SRA LDX SHORT
NOTED	STD	PLOT DATE	12/12/2008
ST. ST.	N/A	DRAWN DATE	8/25/2008
STAINLESS : NO FINISH		DO NOT SCALE PRINT	

THIS DRAWING AND SUBJECT MATTER THEREON IS THE EXCLUSIVE PROPERTY OF LOVESHAW-ITW AND IS TO BE TREATED BY YOU AS CONFIDENTIAL PROPRIETARY INFORMATION. THIS DRAWING OR SUBJECT MATTER THEREOF SHALL NOT BE REPRODUCED OTHER THAN FOR YOUR OWN USE OR TO BE DISCLOSED TO OTHER WITHOUT THE EXPRESSED WRITTEN CONSENT OF LOVESHAW-ITW AND WILL BE RETURNED TO LOVESHAW-ITW UPON REQUEST.

TOLERANCES UNLESS OTHERWISE NOTED:	
.X = ±.050	ANGLES ±1/2°
INCH .XX = ±.015	
.XXX = ±.005	
.X = ±1.0mm	MACH. FINISH
METRIC .XX = ±.3mm	
.XXX = ±.1mm	
FRACTIONS ± 1/64	

LOVESHAW an ITW Company	
RT. 296, SOUTH CANAAN, PA.	
TITLE SIDE RAIL ASSEMBLY LDXCRS - SHORT	
DWG NO .SRA/LDX	SCALE NONE
MATERIAL NOTED	CHECKED
DRAWN KENK	APPROVED

REVISION HISTORY			
REV	DESCRIPTION	DATE	BY
A	RELEASED	8/26/2008	KK



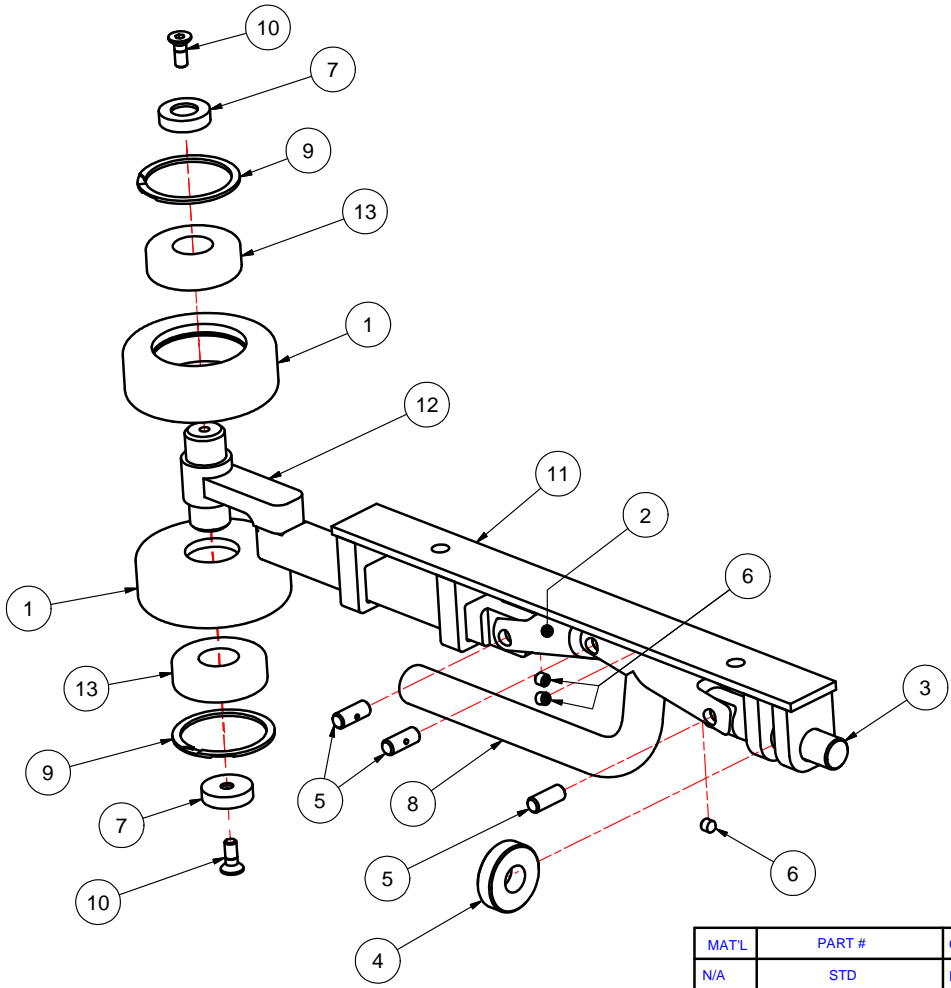
Parts List			
ITEM	QTY	PART NUMBER	DESCRIPTION
1	2	LDW-0057A-4	BELT
2	1	LDW-0081R-4	GUARD, BELT (RH)
3	1	LDW-0081L-4	GUARD, BELT (LH)
4	2	LDW-0080-4	GUARD BELT TOP (LH/RH)
5	1	LDW-0109-4	GUARD GEAR BOX
6	4	FHHSH125S05	HEX HD. 5/16-18 X 1 1/4 LG. S.S.
7	4	FLWSEP	LOCK WASHER 5/16

MATL	PART #	CAD FILE BDA LDXCRS.dwg
NOTED	STD	PLOT DATE 12/12/2008
ST. ST.	N/A	DRAWN DATE 8/26/2008
STAINLESS : NO FINISH		DO NOT SCALE PRINT
<small>THIS DRAWING AND SUBJECT MATTER THEREON IS THE EXCLUSIVE PROPERTY OF LOVESHAW-ITW AND IS TO BE TREATED BY YOU AS CONFIDENTIAL PROPRIETARY INFORMATION. THIS DRAWING OR SUBJECT MATTER THEREOF SHALL NOT BE REPRODUCED OTHER THAN FOR YOUR OWN USE OR TO BE DISCLOSED TO OTHER WITHOUT THE EXPRESSED WRITTEN CONSENT OF LOVESHAW-ITW AND WILL BE RETURNED TO LOVESHAW-ITW UPON REQUEST.</small>		

TOLERANCES UNLESS OTHERWISE NOTED:	
.X = ±.050	ANGLES ±1/2°
INCH .XX = ±.015	
.XXX = ±.005	
.X = ±1.0mm	MACH. FINISH
METRIC .XX = ±.3mm	
.XXX = ±.1mm	
FRACTIONS ± 1/64	

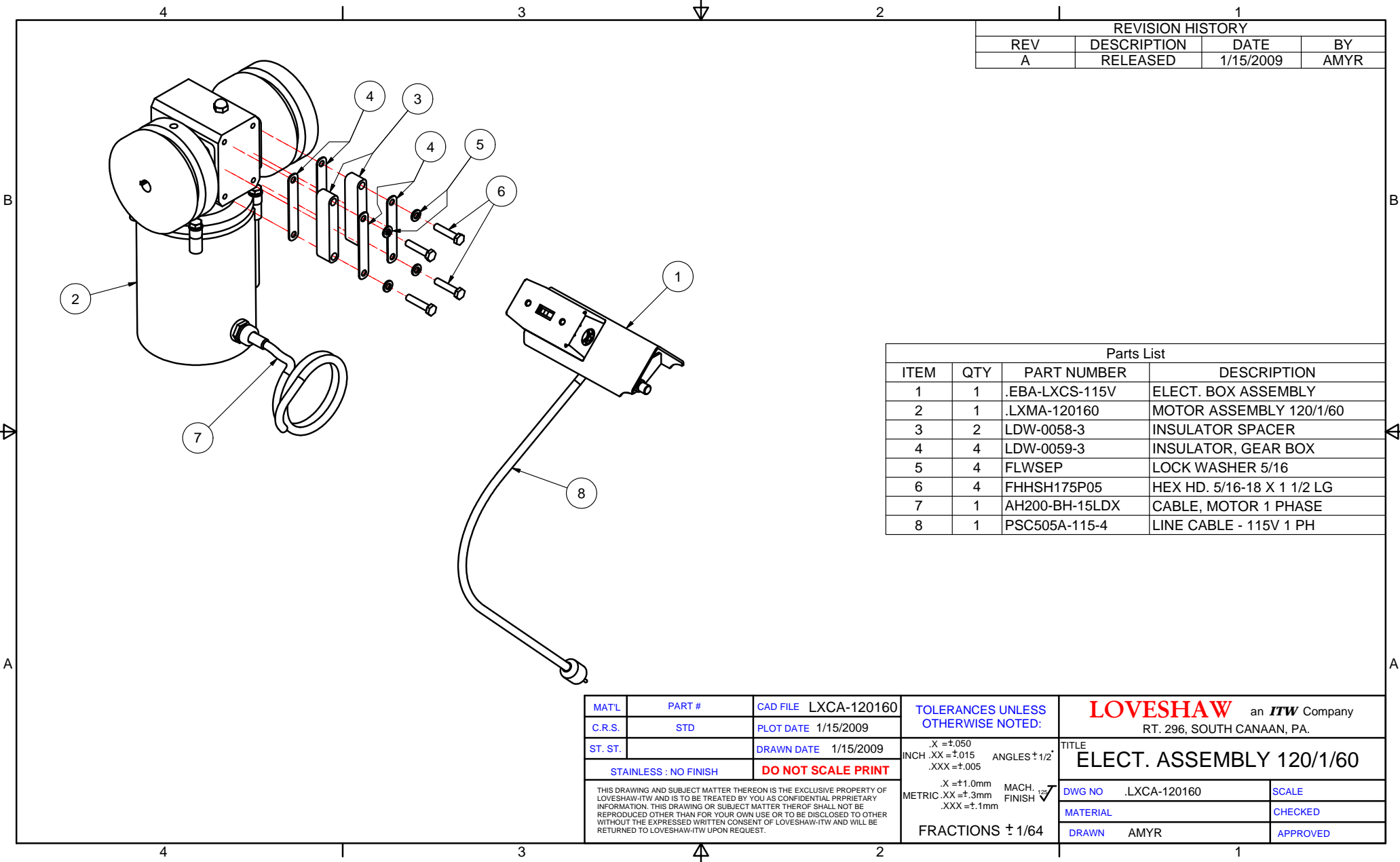
LOVESHAW an ITW Company RT. 296, SOUTH CANAAN, PA.	
TITLE BELT DRIVE ASSEMBLY LDXCRS	
DWG NO .BDA/LDX	SCALE 1/4
MATERIAL NOTED	CHECKED
DRAWN KENK	APPROVED

REVISION HISTORY			
REV	DESCRIPTION	DATE	BY
A	RELEASED	8/21/2008	KK



Parts List			
ITEM	QTY	PART NUMBER	DESCRIPTION
1	2	LDW-0074-4	ROLLER, IDLER
2	1	LDW-0070-4	SLIDE LINK FRT.
3	1	LDW-0071-4	SLIDE ADJ. LINK
4	1	LDW-0072-3	WHEEL, ADJUSTER
5	3	LDW-0073-3	PIN, LINK
6	3	FCSMG008S10	SET SCREW
7	2	LDU-1304-3	IDLER ROLLER STOP
8	1	LDW-0069-4	SLIDE LINK, HANDLE
9	2	SPH-1311	RETAINING RING SPIRAL
10	2	FFHMG016P10	FL. HD. CAP SCREW M6 X 1.0 X 16 LG.
11	1	LDW-0206-4	BASE. TENSION ROLLER BRACKET
12	1	LDW-0204-4	SLIDE BAR WELDMENT
13	2	BRG-2000	BEARING

MATL	PART #	CAD FILE BTA LDXCRS.idw	TOLERANCES UNLESS OTHERWISE NOTED: .X =±.050 INCH .XX =±.015 ANGLES±1/2° .XXX =±.005 .X =±1.0mm MACH. FINISH METRIC .XX =±.3mm .XXX =±.1mm	LOVESHAW an ITW Company RT. 296, SOUTH CANAAN, PA.	
N/A	STD	PLOT DATE 12/12/2008		TITLE BELT TENSION ASSEMBLY LDXCRS	
ST. ST.	N/A	DRAWN DATE 8/21/2008	STAINLESS : NO FINISH DO NOT SCALE PRINT <small>THIS DRAWING AND SUBJECT MATTER THEREON IS THE EXCLUSIVE PROPERTY OF LOVESHAW-ITW AND IS TO BE TREATED BY YOU AS CONFIDENTIAL PROPRIETARY INFORMATION. THIS DRAWING OR SUBJECT MATTER THEREOF SHALL NOT BE REPRODUCED OTHER THAN FOR YOUR OWN USE OR TO BE DISCLOSED TO OTHER WITHOUT THE EXPRESSED WRITTEN CONSENT OF LOVESHAW-ITW AND WILL BE RETURNED TO LOVESHAW-ITW UPON REQUEST.</small>	DWG NO .BTA/LDX	SCALE 3:8
				MATERIAL NOTED	CHECKED
			FRACTIONS ± 1/64	DRAWN KENK	APPROVED



REVISION HISTORY			
REV	DESCRIPTION	DATE	BY
A	RELEASED	1/15/2009	AMYR

Parts List			
ITEM	QTY	PART NUMBER	DESCRIPTION
1	1	.EBA-LXCS-115V	ELECT. BOX ASSEMBLY
2	1	.LXMA-120160	MOTOR ASSEMBLY 120/1/60
3	2	LDW-0058-3	INSULATOR SPACER
4	4	LDW-0059-3	INSULATOR, GEAR BOX
5	4	FLWSEP	LOCK WASHER 5/16
6	4	FHHSH175P05	HEX HD. 5/16-18 X 1 1/2 LG
7	1	AH200-BH-15LDX	CABLE, MOTOR 1 PHASE
8	1	PSC505A-115-4	LINE CABLE - 115V 1 PH

MATL	PART #	CAD FILE LXCA-120160	TOLERANCES UNLESS OTHERWISE NOTED: .X = ±.050 INCH .XX = ±.015 ANGLES ±1/2° .XXX = ±.005	LOVESHAW an ITW Company RT. 296, SOUTH CANAAN, PA. TITLE ELECT. ASSEMBLY 120/1/60	
C.R.S.	STD	PLOT DATE 1/15/2009			
ST. ST.		DRAWN DATE 1/15/2009	.X = ±1.0mm MACH. FINISH ✓ METRIC .XX = ±.3mm .XXX = ±.1mm	DWG NO .LXCA-120160 SCALE	
STAINLESS : NO FINISH		DO NOT SCALE PRINT		FRACTIONS ± 1/64	MATERIAL CHECKED DRAWN AMYR APPROVED
THIS DRAWING AND SUBJECT MATTER THEREON IS THE EXCLUSIVE PROPERTY OF LOVESHAW-ITW AND IS TO BE TREATED BY YOU AS CONFIDENTIAL PROPRIETARY INFORMATION. THIS DRAWING OR SUBJECT MATTER THEREOF SHALL NOT BE REPRODUCED OTHER THAN FOR YOUR OWN USE OR TO BE DISCLOSED TO OTHER WITHOUT THE EXPRESSED WRITTEN CONSENT OF LOVESHAW-ITW AND WILL BE RETURNED TO LOVESHAW-ITW UPON REQUEST.					

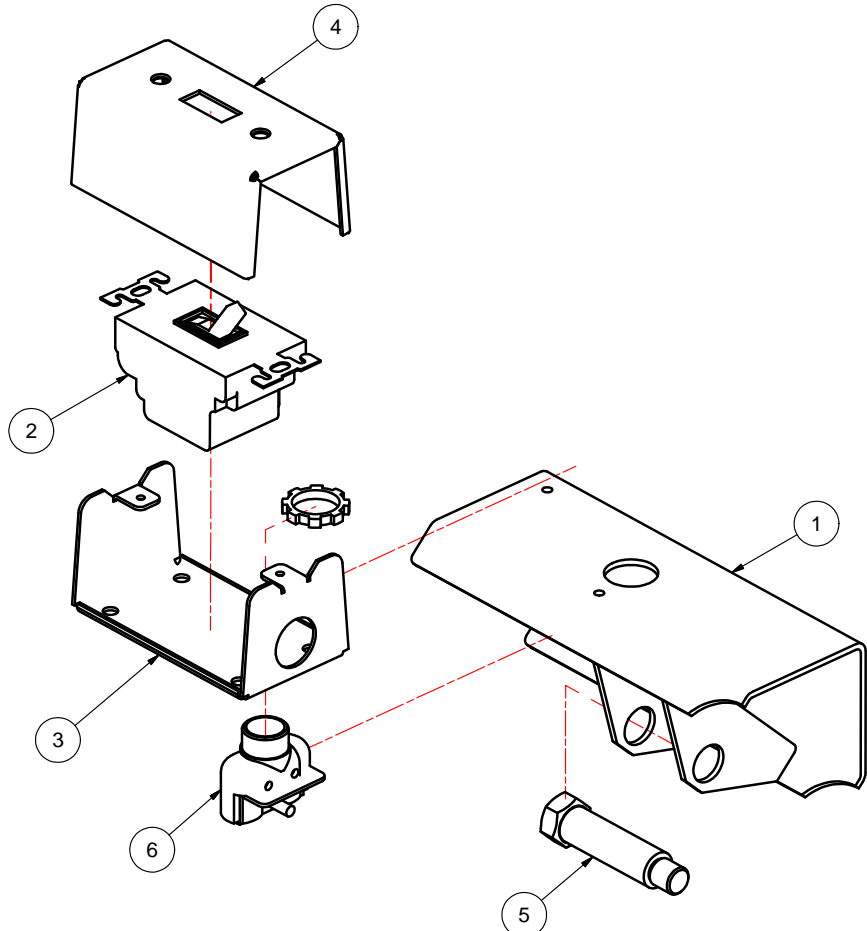
4

3

2

1

REVISION HISTORY			
REV	DESCRIPTION	DATE	BY
A	RELEASED	1/15/2009	AMYR



Parts List			
ITEM	QTY	PART NUMBER	DESCRIPTION
1	1	LDW-0219-4	MOUNT, ELECT. BOX
2	1	PSC301235-GE_A	MOTOR STARTER
3	1	PSC301235-GE_B	ENCLOSURE, BASE
4	1	PSC301235-GE_C	ENCLOSURE, COVER
5	1	LDW-0129A-3	BOLT, SIDE RAIL
6	1	1417-22-191	CONNECTOR, DOUBLE

MATL	PART #	CAD FILE .EBA-LXCS-115V	TOLERANCES UNLESS OTHERWISE NOTED:	LOVESHAW an ITW Company RT. 296, SOUTH CANAAN, PA.
C.R.S.	STD	PLOT DATE 1/15/2009	.X = ±.050 INCH .XX = ±.015 ANGLES ±1/2° .XXX = ±.005	
ST. ST.		DRAWN DATE 1/15/2009	.X = ±1.0mm MACH. FINISH ✓ METRIC .XX = ±.3mm .XXX = ±.1mm	TITLE ELECT. BOX ASSEMBLY LDXCRS
STAINLESS : NO FINISH		DO NOT SCALE PRINT	FRACTIONS ± 1/64	DWG NO .EBA-LXCS-115V SCALE
THIS DRAWING AND SUBJECT MATTER THEREON IS THE EXCLUSIVE PROPERTY OF LOVESHAW-ITW AND IS TO BE TREATED BY YOU AS CONFIDENTIAL PROPRIETARY INFORMATION. THIS DRAWING OR SUBJECT MATTER THEREOF SHALL NOT BE REPRODUCED OTHER THAN FOR YOUR OWN USE OR TO BE DISCLOSED TO OTHER WITHOUT THE EXPRESSED WRITTEN CONSENT OF LOVESHAW-ITW AND WILL BE RETURNED TO LOVESHAW-ITW UPON REQUEST.				MATERIAL CHECKED
				DRAWN AMY APPROVED

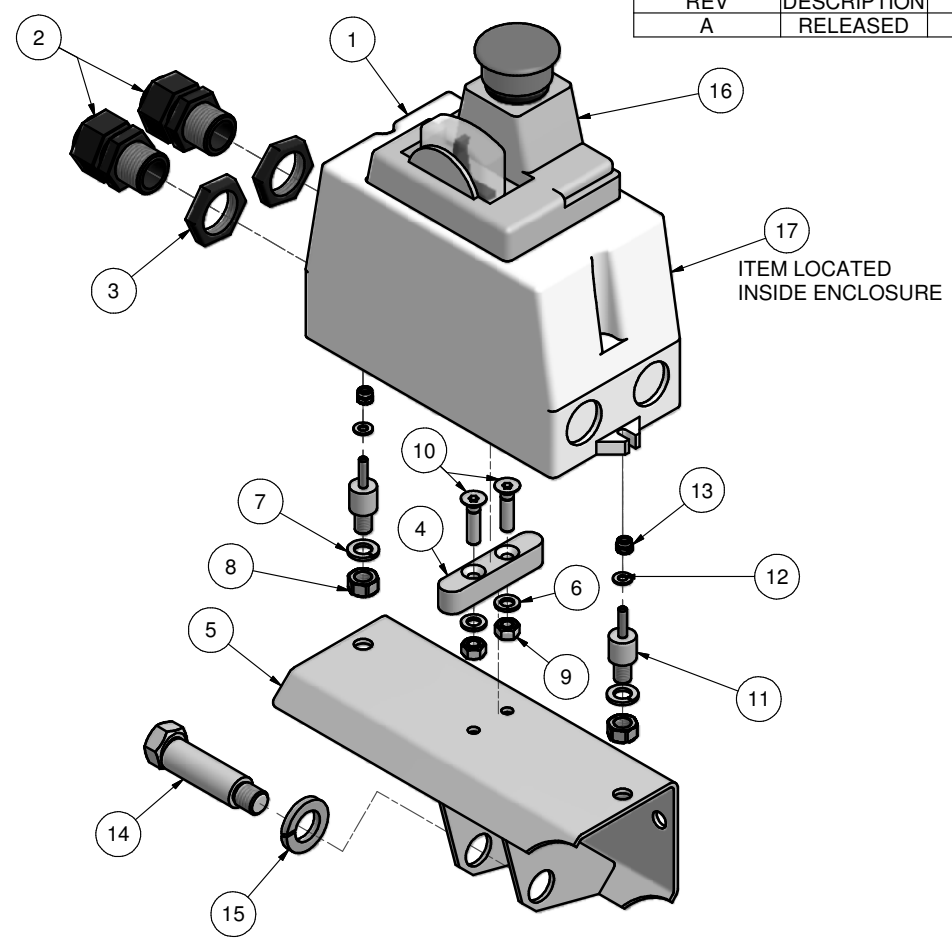
4

3

2

1

REVISION HISTORY			
REV	DESCRIPTION	DATE	BY
A	RELEASED	10/3/2007	AJS



Parts List

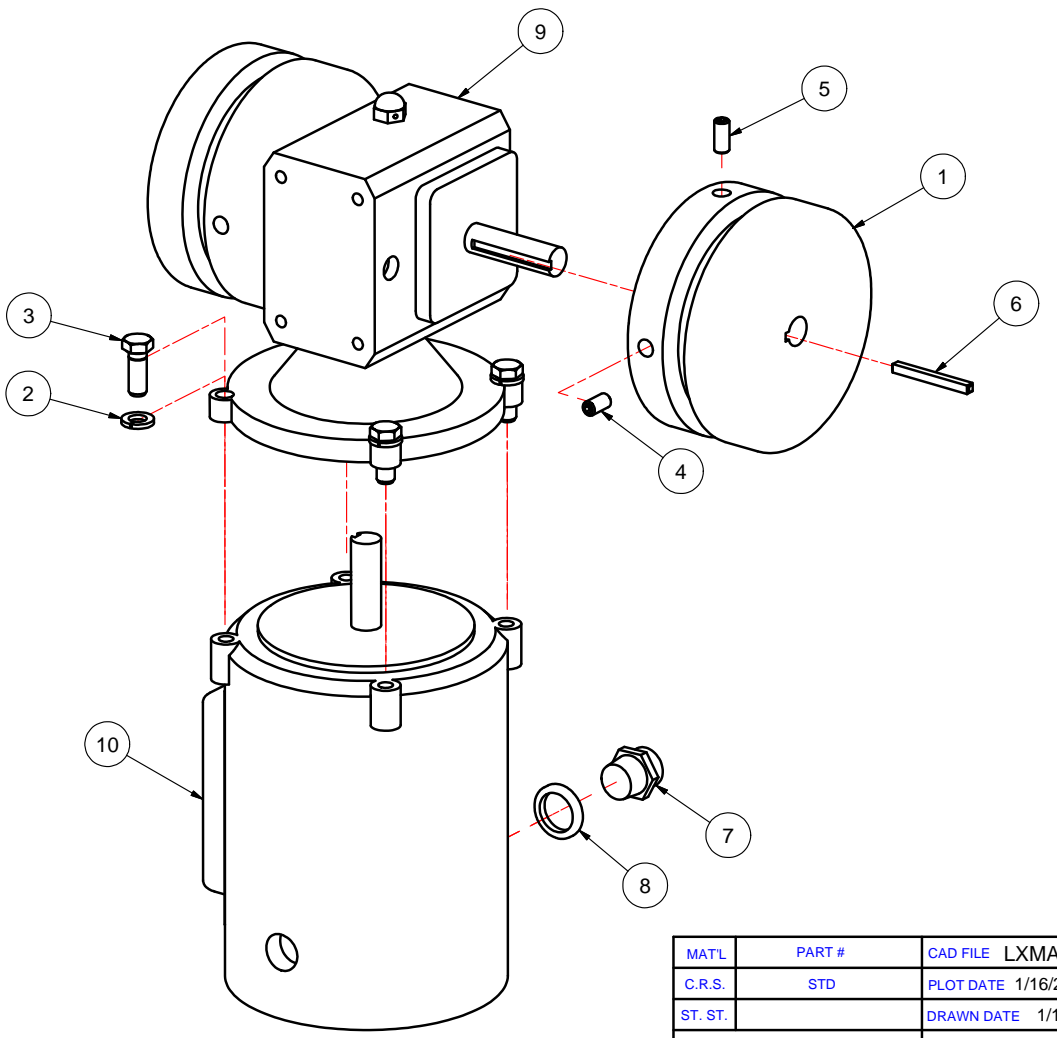
ITEM	QTY	PART NUMBER	DESCRIPTION
1	1	PSC636-LOV-2	SURFACE MOUNT ENCLOSURE
2	2	AH199G	FITTING, STRAIN PG16
3	2	AH199GN	NUT, STRAIN RELIEF
4	1	LDW-0110-3	ELECT. BOX STAND OFF
5	1	LDW-0111-4	MOUNT, ELECT. BOX
6	2	FLWMGS	LOCK WASHER M6
7	2	FLWMHS	LOCK WASHER M8
8	2	FHFNMS	HEX NUT M8 S.S.
9	2	FHFNMG	HEX NUT M6
10	2	FFHMG025S10	FLAT HEAD SCREW M6 X 25
11	2	LDW-0112-3	ELECT. BOX STUD
12	2	FFWMES	FLAT WASHER M4
13	2	FNLNMS	NLN M4
14	1	LDW-0129-3	BOLT, SIDE RAIL
15	1	FLWMKS	LOCK WASHER SPRING M16
16	1	PSC636-LOV-1	OPERATOR w/ EMERGENCY STOP
17	1	PSC636-LOV-3A	MANUAL MOTOR STARTER

MATL	PART #	CAD FILE	EBA WCS 240150.dwg
NOTED	STD	PLOT DATE	10/2/2007
ST. ST.	N/A	DRAWN DATE	10/3/2007
STAINLESS : NO FINISH		DO NOT SCALE PRINT	
<small>THIS DRAWING AND SUBJECT MATTER THEREON IS THE EXCLUSIVE PROPERTY OF LOVESHAW-ITW AND IS TO BE TREATED BY YOU AS CONFIDENTIAL PROPRIETARY INFORMATION. THIS DRAWING OR SUBJECT MATTER THEREOF SHALL NOT BE REPRODUCED OTHER THAN FOR YOUR OWN USE OR TO BE DISCLOSED TO OTHER WITHOUT THE EXPRESSED WRITTEN CONSENT OF LOVESHAW-ITW AND WILL BE RETURNED TO LOVESHAW-ITW UPON REQUEST.</small>			
		X = ±.050 INCH .XX = ±.015 ANGLES ±1/2° .XXX = ±.005 X = ±1.0mm MACH. FINISH ✓ METRIC .XX = ±.3mm .XXX = ±.1mm	
		FRACTIONS ± 1/64	

LOVESHAW an ITW Company RT. 296, SOUTH CANAAN, PA.	
TITLE ELECT. BOX ASSY. 240/1/50	
DWG NO	EBA-WDCS-240V-AMY
MATERIAL	NOTED
DRAWN	TONYS
SCALE	N/A
CHECKED	
APPROVED	

4 | 3 | 2 | 1

REVISION HISTORY			
REV	DESCRIPTION	DATE	BY
A	RELEASED	1/15/2009	AMYR



Parts List			
ITEM	QTY	PART NUMBER	DESCRIPTION
1	2	LDW-0055-4	DRIVE ROLLER
2	4	FLWSFP	LOCK WASHER 3/8
3	4	FHHSJ100P08	HEX HD. 3/8-16 X 1 LG.
4	2	SPH-1315	M8-1.25 X 16mm LG.
5	2	SPH-1316	M8-1.25 X 16mm LG.
6	2	LDW-0094-3	KEY, DRIVE ROLLER
7	1	AH200-BH-15A	2 3 COND. RECEPTACLE MALE
8	1	AH108	SEAL RING 1/2"
9	1	PSC301238S	REDUCER
10	1	LD16B-2033A	MOTOR

B
A

B
A

4 | 3 | 2 | 1

MATL	PART #	CAD FILE	LXMA-120160
C.R.S.	STD	PLOT DATE	1/16/2009
ST. ST.		DRAWN DATE	1/15/2009
STAINLESS : NO FINISH		DO NOT SCALE PRINT	
<small>THIS DRAWING AND SUBJECT MATTER THEREON IS THE EXCLUSIVE PROPERTY OF LOVESHAW-ITW AND IS TO BE TREATED BY YOU AS CONFIDENTIAL PROPRIETARY INFORMATION. THIS DRAWING OR SUBJECT MATTER THEREOF SHALL NOT BE REPRODUCED OTHER THAN FOR YOUR OWN USE OR TO BE DISCLOSED TO OTHER WITHOUT THE EXPRESSED WRITTEN CONSENT OF LOVESHAW-ITW AND WILL BE RETURNED TO LOVESHAW-ITW UPON REQUEST.</small>			

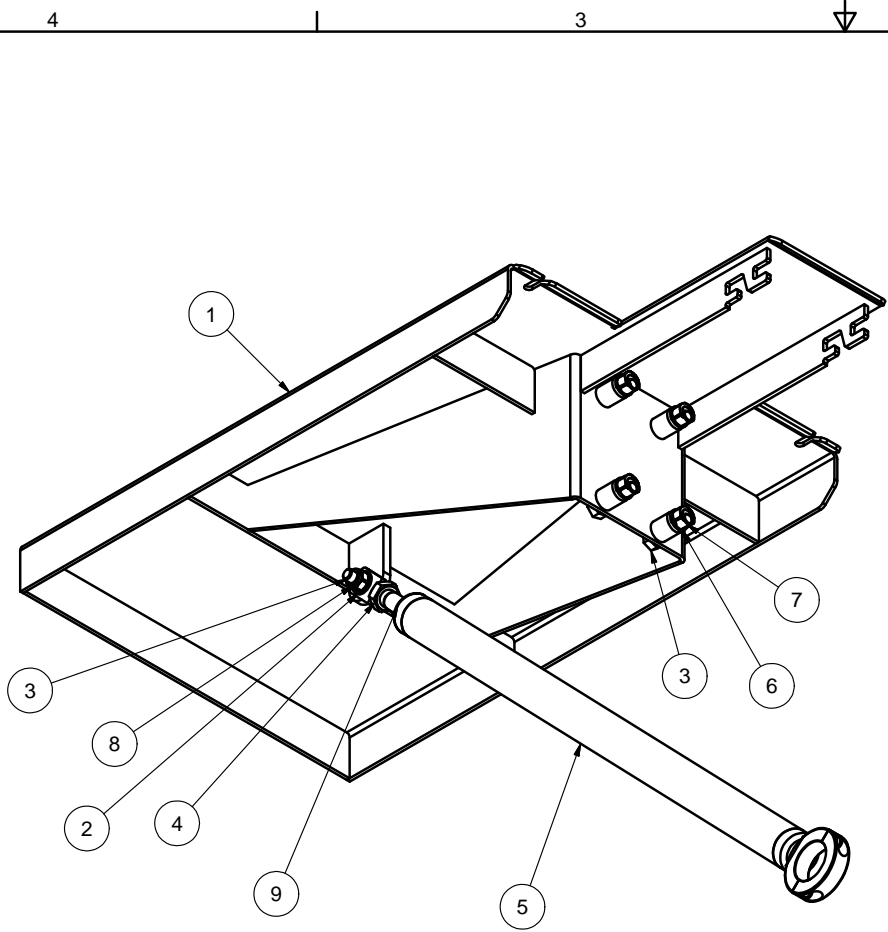
TOLERANCES UNLESS OTHERWISE NOTED:

.X = ±.050
 INCH .XX = ±.015 ANGLES ±1/2'
 .XXX = ±.005

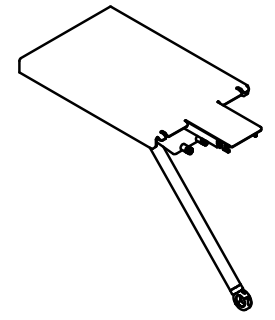
.X = ±1.0mm MACH. FINISH ✓
 METRIC .XX = ±.3mm
 .XXX = ±.1mm

FRACTIONS ± 1/64

LOVESHAW an ITW Company RT. 296, SOUTH CANAAN, PA.		
TITLE MOTOR ASSEMBLY		
DWG NO	.LXMA-120160	SCALE
MATERIAL		CHECKED
DRAWN	AMYR	APPROVED

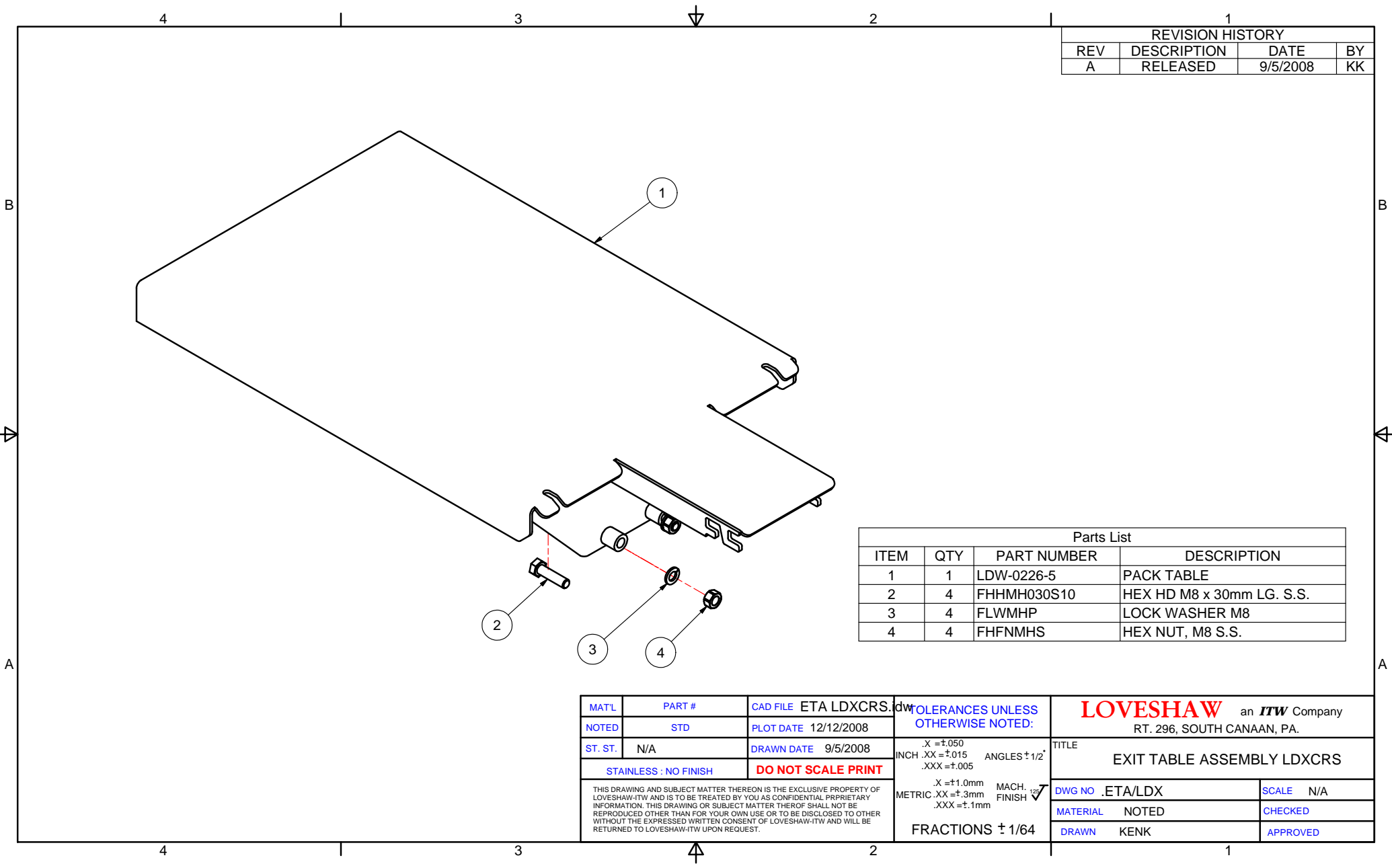


REVISION HISTORY			
REV	DESCRIPTION	DATE	BY
A	RELEASED	8/19/2008	KK



Parts List			
ITEM	QTY	PART NUMBER	DESCRIPTION
1	1	LDW-0226-5	PACK TABLE
2	2	FFWMHP	FLAT WASHER M8
3	5	FHHMH030S10	HEX HD M8 X 30mm LG. S.S.
4	1	LDW-0131-3	BRACE ADJ. BOLT
5	1	LDW-0132-4	BRACE, TABLE
6	4	FLWMHP	LOCK WASHER M8
7	4	FHFNMHS	HEX NUT, M8 S.S.
8	1	FNLNMHS	NYLOCK NUT M8 S.S.
9	1	FHJNMJS	HEX JAM NUT M12 S.S.

MATL	PART #	CAD FILE	ITA LDXCRS HD.dwg	TOLERANCES UNLESS OTHERWISE NOTED: .X = ±.050 INCH .XX = ±.015 ANGLES ±1/2° .XXX = ±.005 .X = ±1.0mm MACH. FINISH METRIC .XX = ±.3mm .XXX = ±.1mm	LOVESHAW an ITW Company RT. 296, SOUTH CANAAN, PA. TITLE INFEEED TABLE ASSEMBLY (FRT. HD) LDXCRS				
N/A	STD	PLOT DATE	12/16/2008						
ST. ST.	N/A	DRAWN DATE	8/19/2008	THIS DRAWING AND SUBJECT MATTER THEREON IS THE EXCLUSIVE PROPERTY OF LOVESHAW-ITW AND IS TO BE TREATED BY YOU AS CONFIDENTIAL PROPRIETARY INFORMATION. THIS DRAWING OR SUBJECT MATTER THEREOF SHALL NOT BE REPRODUCED OTHER THAN FOR YOUR OWN USE OR TO BE DISCLOSED TO OTHER WITHOUT THE EXPRESSED WRITTEN CONSENT OF LOVESHAW-ITW AND WILL BE RETURNED TO LOVESHAW-ITW UPON REQUEST.	DWG NO	.ITA/LDX/HD	SCALE	1:4	
STAINLESS : NO FINISH		DO NOT SCALE PRINT			MATERIAL	N/A	CHECKED		
				FRACTIONS	± 1/64	DRAWN	KENK	APPROVED	

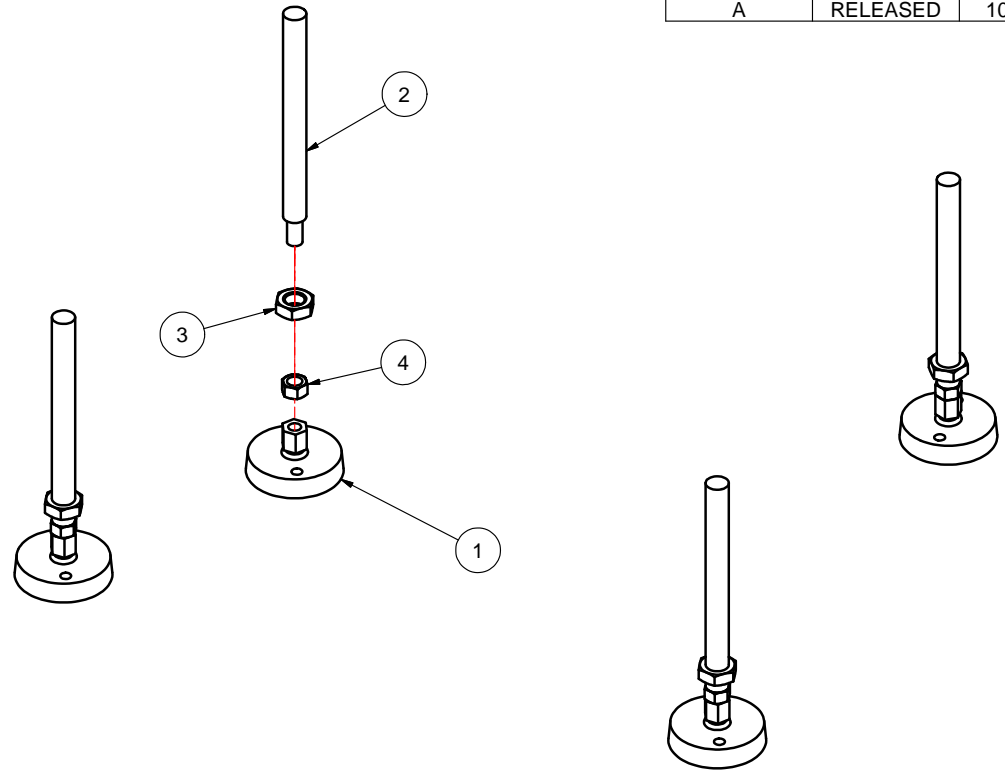


REVISION HISTORY			
REV	DESCRIPTION	DATE	BY
A	RELEASED	9/5/2008	KK

Parts List			
ITEM	QTY	PART NUMBER	DESCRIPTION
1	1	LDW-0226-5	PACK TABLE
2	4	FHHMH030S10	HEX HD M8 x 30mm LG. S.S.
3	4	FLWMHP	LOCK WASHER M8
4	4	FHFNMHS	HEX NUT, M8 S.S.

MATL	PART #	CAD FILE	ETA LDXCRS.dwg	TOLERANCES UNLESS OTHERWISE NOTED: .X = ±.050 INCH .XX = ±.015 ANGLES ±1/2° .XXX = ±.005 .X = ±1.0mm MACH. FINISH ✓ METRIC .XX = ±.3mm .XXX = ±.1mm FRACTIONS ± 1/64	LOVESHAW an ITW Company RT. 296, SOUTH CANAAN, PA. TITLE EXIT TABLE ASSEMBLY LDXCRS			
NOTED	STD	PLOT DATE	12/12/2008					
ST. ST.	N/A	DRAWN DATE	9/5/2008	DWG NO	.ETA/LDX	SCALE	N/A	
STAINLESS : NO FINISH				DO NOT SCALE PRINT		MATERIAL	NOTED	CHECKED
THIS DRAWING AND SUBJECT MATTER THEREON IS THE EXCLUSIVE PROPERTY OF LOVESHAW-ITW AND IS TO BE TREATED BY YOU AS CONFIDENTIAL PROPRIETARY INFORMATION. THIS DRAWING OR SUBJECT MATTER THEREOF SHALL NOT BE REPRODUCED OTHER THAN FOR YOUR OWN USE OR TO BE DISCLOSED TO OTHER WITHOUT THE EXPRESSED WRITTEN CONSENT OF LOVESHAW-ITW AND WILL BE RETURNED TO LOVESHAW-ITW UPON REQUEST.				DRAWN		KENK	APPROVED	

1			
REV	DESCRIPTION	DATE	BY
A	RELEASED	10/8/2007	AJS



Parts List			
ITEM	QTY	PART NUMBER	DESCRIPTION
1	4	SPH-1329	LEVELER PAD 1/2-13
2	4	LDW-0053-4	ROD, LEVELING
3	4	FHJMSRS	HEX JAM NUT 3/4-10
4	4	FHFNSNS	HEX NUT 1/2-13

MATL	PART #	CAD FILE LPA LDXCRS.dwg
NOTED	STD	PLOT DATE 10/7/2007
ST. ST.	N/A	DRAWN DATE 10/8/2007
STAINLESS : NO FINISH		DO NOT SCALE PRINT
<small>THIS DRAWING AND SUBJECT MATTER THEREON IS THE EXCLUSIVE PROPERTY OF LOVESHAW-ITW AND IS TO BE TREATED BY YOU AS CONFIDENTIAL PROPRIETARY INFORMATION. THIS DRAWING OR SUBJECT MATTER THEREOF SHALL NOT BE REPRODUCED OTHER THAN FOR YOUR OWN USE OR TO BE DISCLOSED TO OTHER WITHOUT THE EXPRESSED WRITTEN CONSENT OF LOVESHAW-ITW AND WILL BE RETURNED TO LOVESHAW-ITW UPON REQUEST.</small>		

TOLERANCES UNLESS OTHERWISE NOTED:

.X = ±.050
 INCH .XX = ±.015 ANGLES ±1/2°
 .XXX = ±.005

.X = ±1.0mm MACH. FINISH ✓
 METRIC .XX = ±.3mm
 .XXX = ±.1mm

FRACTIONS ± 1/64

LOVESHAW an ITW Company		RT. 296, SOUTH CANAAN, PA.	
TITLE LEVELER PAD ASSEMBLY			
DWG NO	.LPA LDXCRS	SCALE	N/A
MATERIAL	NOTED	CHECKED	
DRAWN	TONYS	APPROVED	

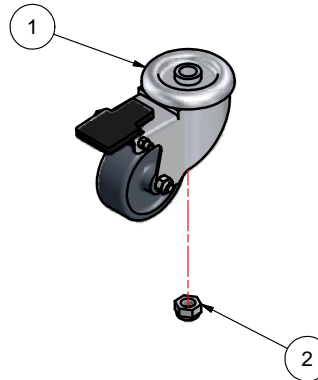
4

3

2

1

REVISION HISTORY			
REV	DESCRIPTION	DATE	BY
A	RELEASED	10/8/2007	AJS



MATL	PART #	CAD FILE LDC LDXCRS.dwg
NOTED	STD	PLOT DATE 10/7/2007
ST. ST.	N/A	DRAWN DATE 10/8/2007
STAINLESS : NO FINISH		DO NOT SCALE PRINT
<small>THIS DRAWING AND SUBJECT MATTER THEREON IS THE EXCLUSIVE PROPERTY OF LOVESHAW-ITW AND IS TO BE TREATED BY YOU AS CONFIDENTIAL PROPRIETARY INFORMATION. THIS DRAWING OR SUBJECT MATTER THEREOF SHALL NOT BE REPRODUCED OTHER THAN FOR YOUR OWN USE OR TO BE DISCLOSED TO OTHER WITHOUT THE EXPRESSED WRITTEN CONSENT OF LOVESHAW-ITW AND WILL BE RETURNED TO LOVESHAW-ITW UPON REQUEST.</small>		

TOLERANCES UNLESS OTHERWISE NOTED:

.X = ±.050
 INCH .XX = ±.015 ANGLES ±1/2°
 .XXX = ±.005

.X = ±1.0mm MACH. FINISH ✓
 METRIC .XX = ±.3mm
 .XXX = ±.1mm

FRACTIONS ± 1/64

LOVESHAW an ITW Company RT. 296, SOUTH CANAAN, PA.	
TITLE CASTER ASSEMBLY	
DWG NO .LDC LDXCRS	SCALE N/A
MATERIAL NOTED	CHECKED
DRAWN TONY S	APPROVED

Parts List

ITEM	QTY	PART NUMBER	DESCRIPTION
1	4	OPC511	CASTER - SWIVEL
2	4	SPH-1326	1/2-13 NYLOCK JAM NUT S.S.

4

3

2

1