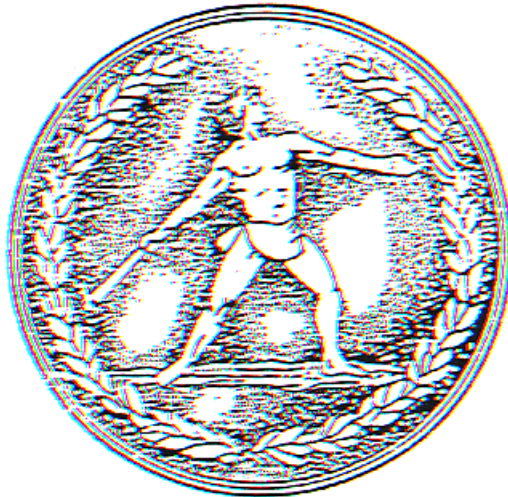


ABAL



1500-00-04CH

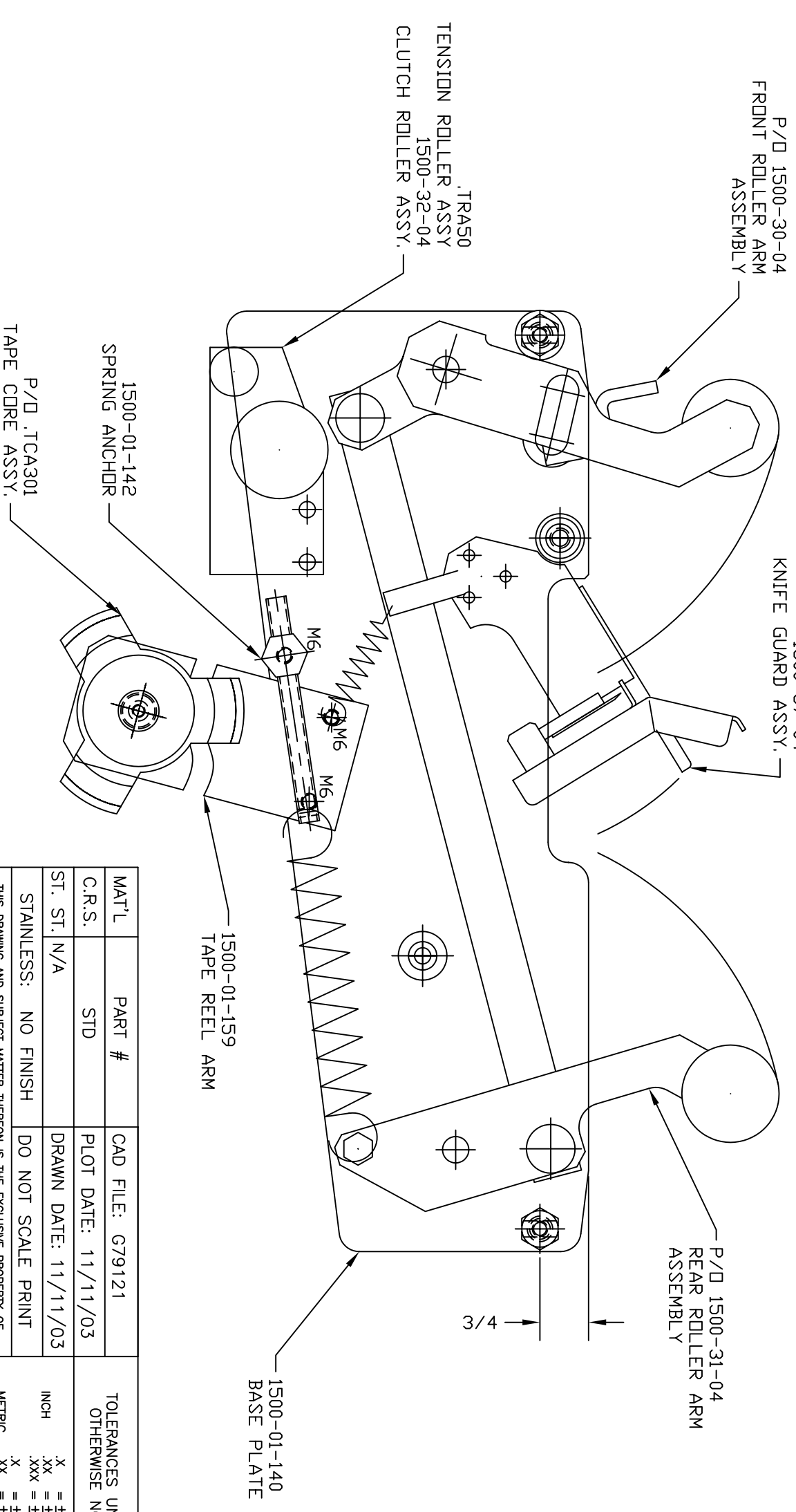
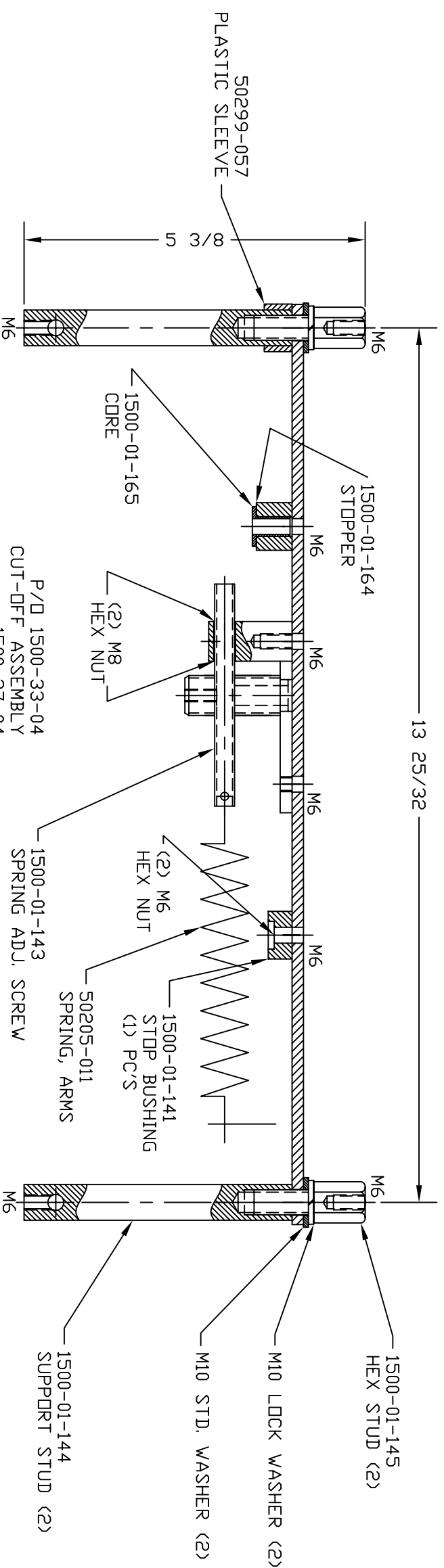
ABAL AUTO. TAPE UNIT 2"

THE LOVESHAW CORPORATION
P. O. BOX 83, RT. 296
SOUTH CANAAN, PA 18459

TEL: (570) 937-4921
FAX: (570) 937-4370

LOVESHAW - EUROPE
UNIT 9, BRUNEL GATE
W. PORTWAY INDUSTRIAL ESTATE
ANDOVER, HAMPSHIRE SP103SL
ENGLAND
44-264-3575-11

| REVISION RECORD | | | | |
|-----------------|-------------|----------|-----|-------|
| REV | DESCRIPTION | DATE | ATH | DR CK |
| A | RELEASED | 11/11/03 | | WB |



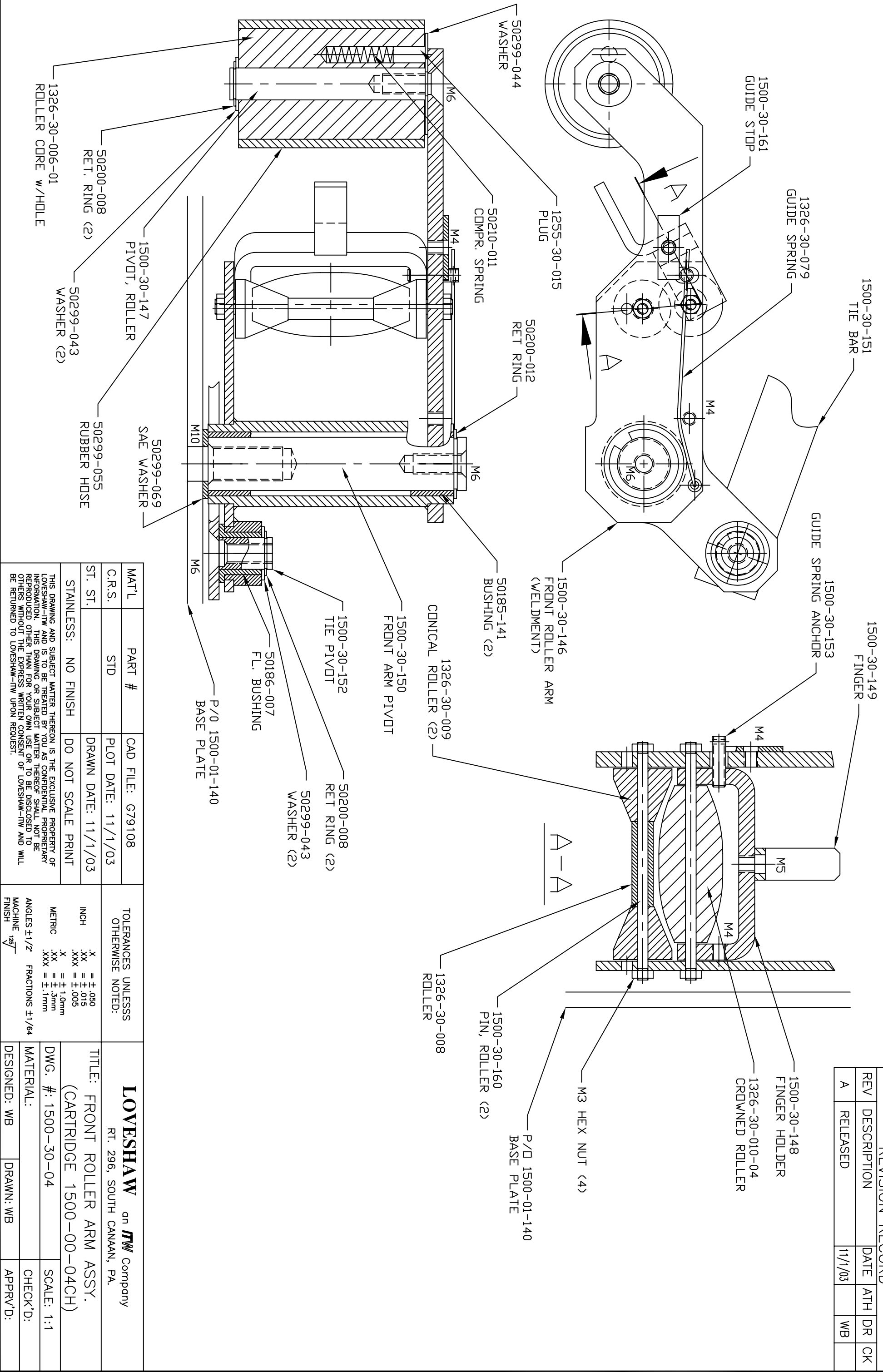
| MAT'L | PART # | CAD FILE: |
|----------------------|--------|----------------------|
| C.R.S. | STD | G79121 |
| ST. ST. | N/A | PLOT DATE: 11/11/03 |
| STAINLESS: NO FINISH | | DRAWN DATE: 11/11/03 |
| DO NOT SCALE PRINT | | |

| TOLERANCES UNLESS OTHERWISE NOTED: | |
|------------------------------------|--------------------------------------------|
| INCH | .X = ±.050 .XX = ±.015 .XXX = ±.005 |
| METRIC | .X = ±1.0mm .XX = ±.5mm .XXX = ±.1mm |
| ANGLES ±1/2° FRACTIONS ±1/64 | |
| MACHINE FINISH | |

| | |
|---------------------------------------|---------------|
| LOVESHAW on ITW Company | |
| RT. 296, SOUTH CANAAN, PA. | |
| TITLE: | BASE ASSEMBLY |
| (CARTRIDGE 1500-00-04CH) | |
| DWG. #: 1500-01-04 | SCALE: 1:2 |
| MATERIAL: | CHECK'D: |
| DESIGNED: WB | DRAWN: WB |
| | APPRV'D: |

THIS DRAWING AND SUBJECT MATTER THEREON IS THE EXCLUSIVE PROPERTY OF LOVESHAW-ITW AND IS TO BE TREATED BY YOU AS CONFIDENTIAL. PROPRIETARY INFORMATION. THIS DRAWING OR SUBJECT MATTER SHALL NOT BE REPRODUCED OTHER THAN FOR YOUR OWN USE OR TO BE DISCLOSED TO OTHERS WITHOUT THE EXPRESS WRITTEN CONSENT OF LOVESHAW-ITW AND WILL BE RETURNED TO LOVESHAW-ITW UPON REQUEST.

| REVISION RECORD | | | | |
|-----------------|-------------|---------|-----|-------|
| REV | DESCRIPTION | DATE | ATH | DR CK |
| A | RELEASED | 11/1/03 | | WB |



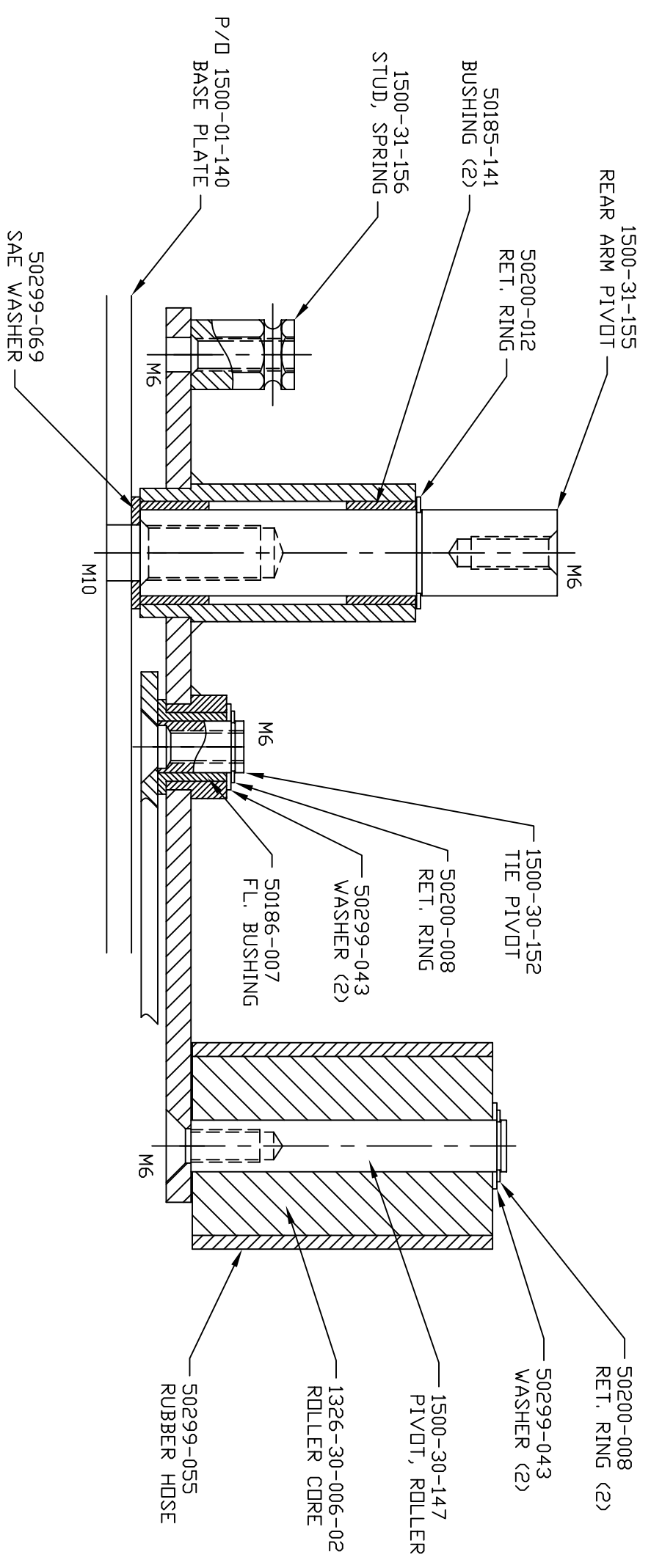
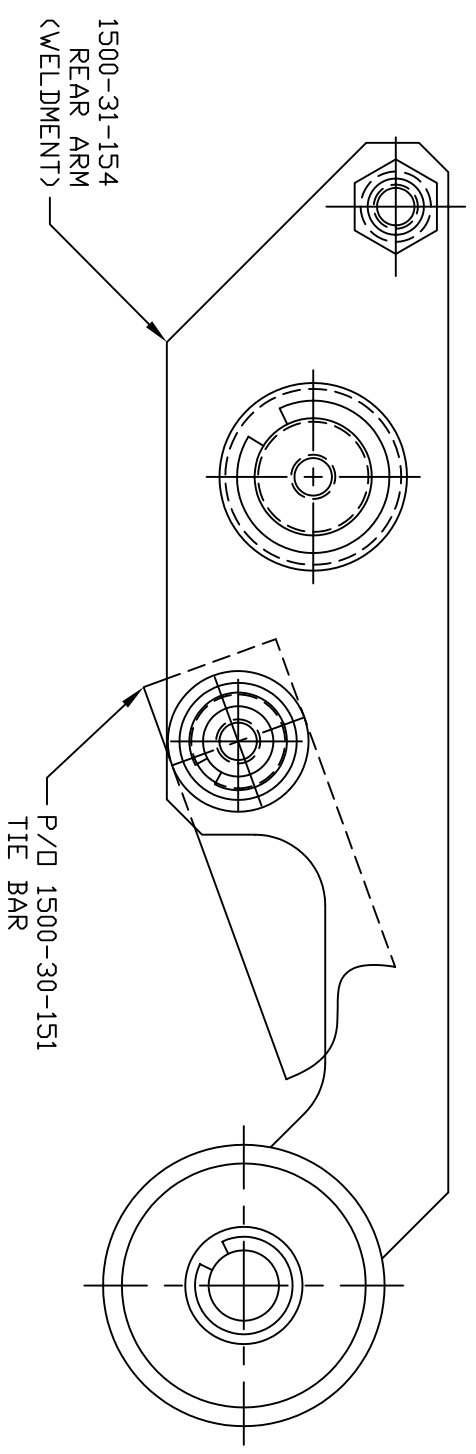
| MAT'L | PART # | CAD FILE: |
|------------|-----------|--------------------|
| C.R.S. | STD | G79108 |
| ST. ST. | | DO NOT SCALE PRINT |
| STAINLESS: | NO FINISH | |

| TOLERANCES UNLESS OTHERWISE NOTED: | |
|------------------------------------|--------------------------------------------------|
| INCH | X .XX = ± .050 .XX = ± .015 .XXX = ± .005 |
| METRIC | X .XX = ± 1.0mm .XX = ± .5mm .XXX = ± .1mm |
| ANGLES ±1/2° FRACTIONS ±1/64 | |
| MACHINE FINISH | |

| | |
|-----------------------------------------------------------|------------|
| LOVESHAW on ITW Company | |
| RT. 296, SOUTH CANAAN, PA. | |
| TITLE: FRONT ROLLER ARM ASSY. (CARTRIDGE 1500-00-04CH) | |
| DWG. #: 1500-30-04 | SCALE: 1:1 |
| MATERIAL: | CHECK'D: |
| DESIGNED: WB | DRAWN: WB |
| | APPRV'D: |

THIS DRAWING AND SUBJECT MATTER THEREON IS THE EXCLUSIVE PROPERTY OF LOVESHAW-ITW AND IS TO BE TREATED BY YOU AS CONFIDENTIAL. PROPRIETARY INFORMATION. THIS DRAWING OR SUBJECT MATTER SHALL NOT BE REPRODUCED OTHER THAN FOR YOUR OWN USE OR TO BE DISCLOSED TO OTHERS WITHOUT THE EXPRESS WRITTEN CONSENT OF LOVESHAW-ITW AND WILL BE RETURNED TO LOVESHAW-ITW UPON REQUEST.

| REVISION RECORD | | | | |
|-----------------|-------------|---------|-----|-------|
| REV | DESCRIPTION | DATE | ATH | DR CK |
| A | RELEASED | 11/1/03 | | WB |



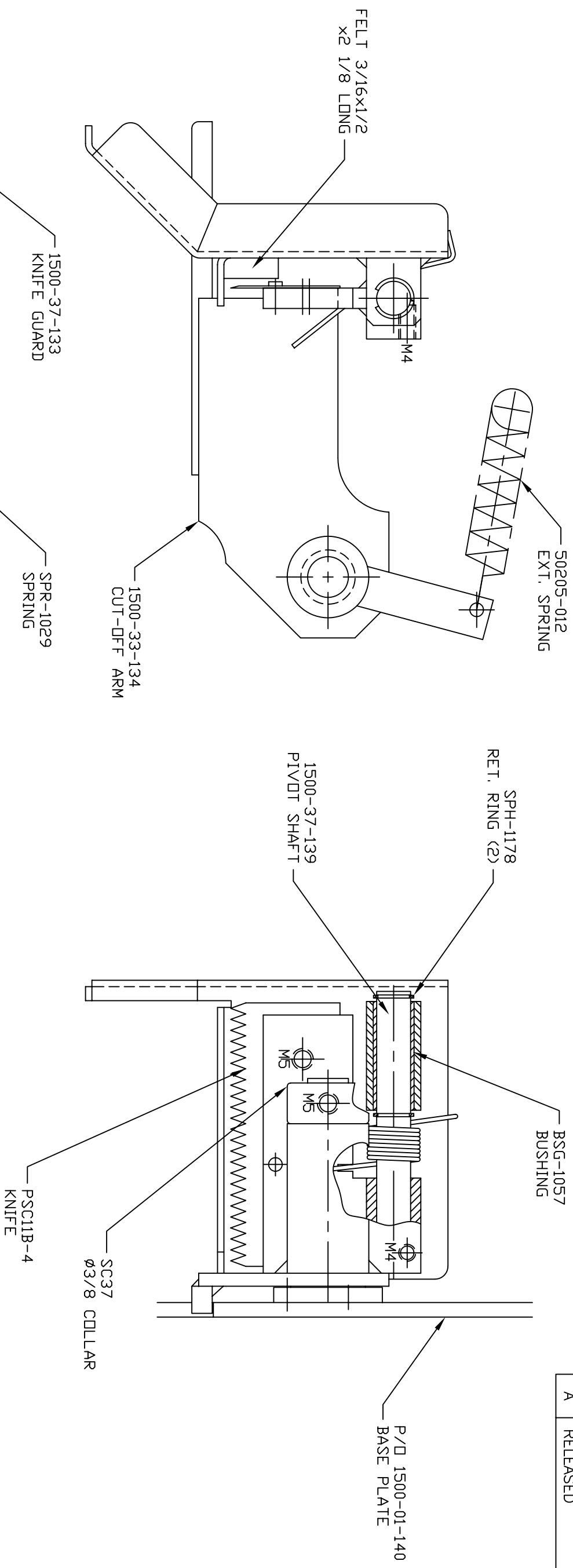
| | | |
|------------|-----------|---------------------|
| MAT'L | PART # | CAD FILE: |
| C.R.S. | STD | G79114 |
| ST. ST. | | PLOT DATE: 11/1/03 |
| | | DRAWN DATE: 11/1/03 |
| STAINLESS: | NO FINISH | DO NOT SCALE PRINT |

| | |
|------------------------------------|--------------------------------------------|
| TOLERANCES UNLESS OTHERWISE NOTED: | |
| INCH | .X = ±.050 .XX = ±.015 .XXX = ±.005 |
| METRIC | .X = ±1.0mm .XX = ±.5mm .XXX = ±.1mm |
| ANGLES ±1/2° FRACTIONS ±1/64 | |
| MACHINE FINISH | |

| | |
|----------------------------------------------------------|------------|
| LOVESHAW on ITW Company | |
| RT. 296, SOUTH CANAAN, PA. | |
| TITLE: REAR ROLLER ARM ASSY. (CARTRIDGE 1500-00-04CH) | |
| DWG. #: 1500-31-04 | SCALE: 1:1 |
| MATERIAL: | CHECK'D: |
| DESIGNED: WB | DRAWN: WB |
| | APPRV'D: |

THIS DRAWING AND SUBJECT MATTER THEREON IS THE EXCLUSIVE PROPERTY OF LOVESHAW-ITW AND IS TO BE TREATED BY YOU AS CONFIDENTIAL. PROPRIETARY INFORMATION. THIS DRAWING OR SUBJECT MATTER SHALL NOT BE REPRODUCED OTHER THAN FOR YOUR OWN USE OR TO BE DISCLOSED TO OTHERS WITHOUT THE EXPRESS WRITTEN CONSENT OF LOVESHAW-ITW AND WILL BE RETURNED TO LOVESHAW-ITW UPON REQUEST.

| REVISION RECORD | | | | |
|-----------------|-------------|----------|-----|-------|
| REV | DESCRIPTION | DATE | ATH | DR CK |
| A | RELEASED | 10/20/03 | | WB |



THIS ASSEMBLY INCLUDES KNIFE GUARD
SUBASSEMBLY - 1500-37-04.

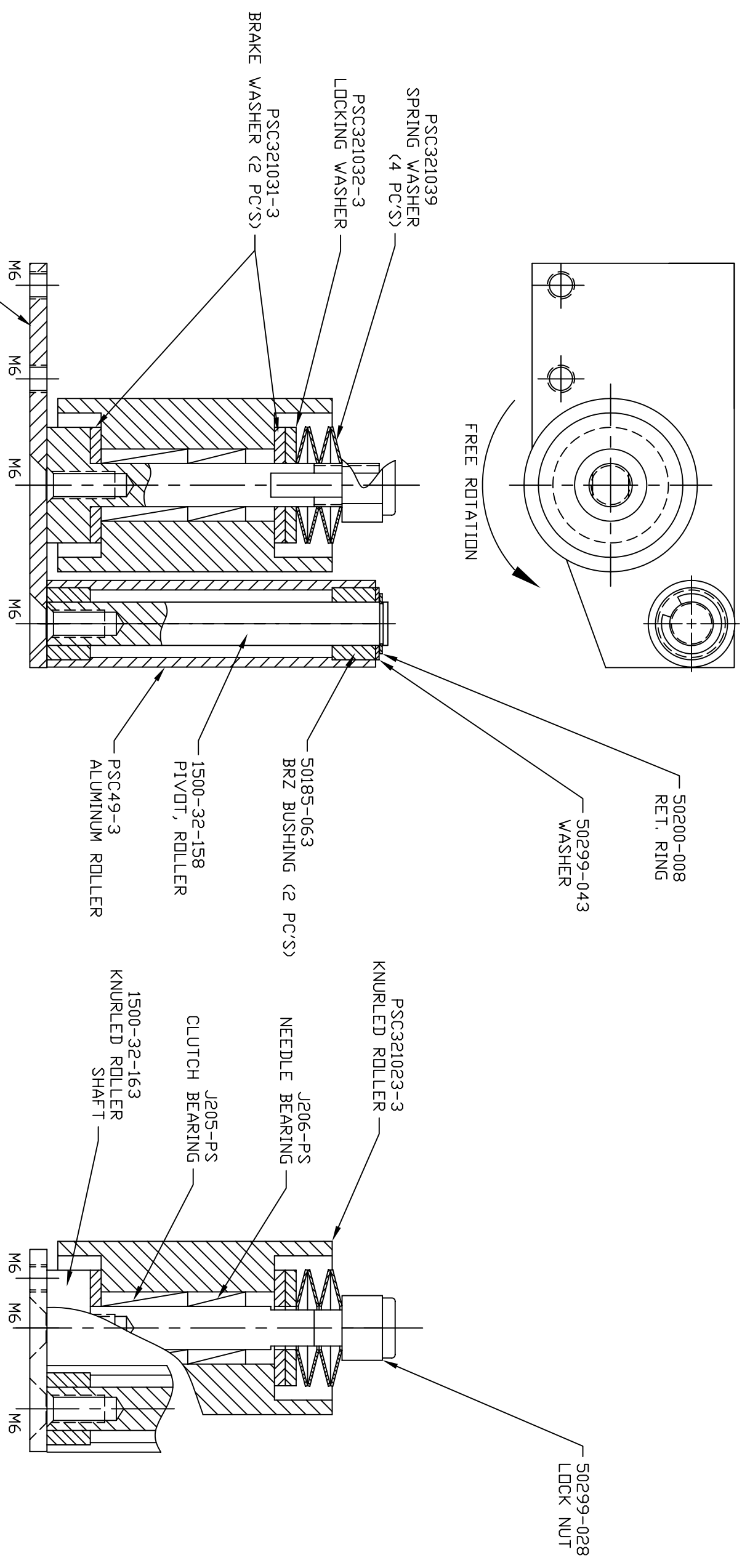
| | | | |
|----------------------|--------|--------------------|----------|
| MAT'L | PART # | CAD FILE: | G79099 |
| C.R.S. | STD | PLOT DATE: | 10/20/03 |
| ST. ST. | | DRAWN DATE: | 10/20/03 |
| STAINLESS: NO FINISH | | DO NOT SCALE PRINT | |

| | |
|---------------------------------------|--------------------------------------------|
| TOLERANCES UNLESS OTHERWISE NOTED: | |
| INCH | .X = ±.050 .XX = ±.015 .XXX = ±.005 |
| METRIC | .X = ±1.0mm .XX = ±.5mm .XXX = ±.1mm |
| ANGLES ±1/2° FRACTIONS ±1/64 | |
| MACHINE FINISH | |

| | |
|-----------------------------------------------------|------------|
| LOVESHAW on ITW Company | |
| RT. 296, SOUTH CANAAN, PA. | |
| TITLE: CUT-OFF ASSEMBLY (CARTRIDGE 1500-00-04CH) | |
| DWG. #: 1500-33-04 | SCALE: 1:1 |
| MATERIAL: | CHECK'D: |
| DESIGNED: WB | DRAWN: WB |
| | APPRV'D: |

THIS DRAWING AND SUBJECT MATTER THEREON IS THE EXCLUSIVE PROPERTY OF LOVESHAW-ITW AND IS TO BE TREATED BY YOU AS CONFIDENTIAL. PROPRIETARY INFORMATION. THIS DRAWING OR SUBJECT MATTER SHALL NOT BE REPRODUCED OTHER THAN FOR YOUR OWN USE OR TO BE DISCLOSED TO OTHERS WITHOUT THE EXPRESS WRITTEN CONSENT OF LOVESHAW-ITW AND WILL BE RETURNED TO LOVESHAW-ITW UPON REQUEST.

| REVISION RECORD | | | | |
|-----------------|-------------|---------|-----|-------|
| REV | DESCRIPTION | DATE | ATH | DR CK |
| A | RELEASED | 12/3/03 | | WB |



THIS ASSEMBLY INCLUDES CLUTCH ROLLER SUBASSEMBLY - 1500-32-04.

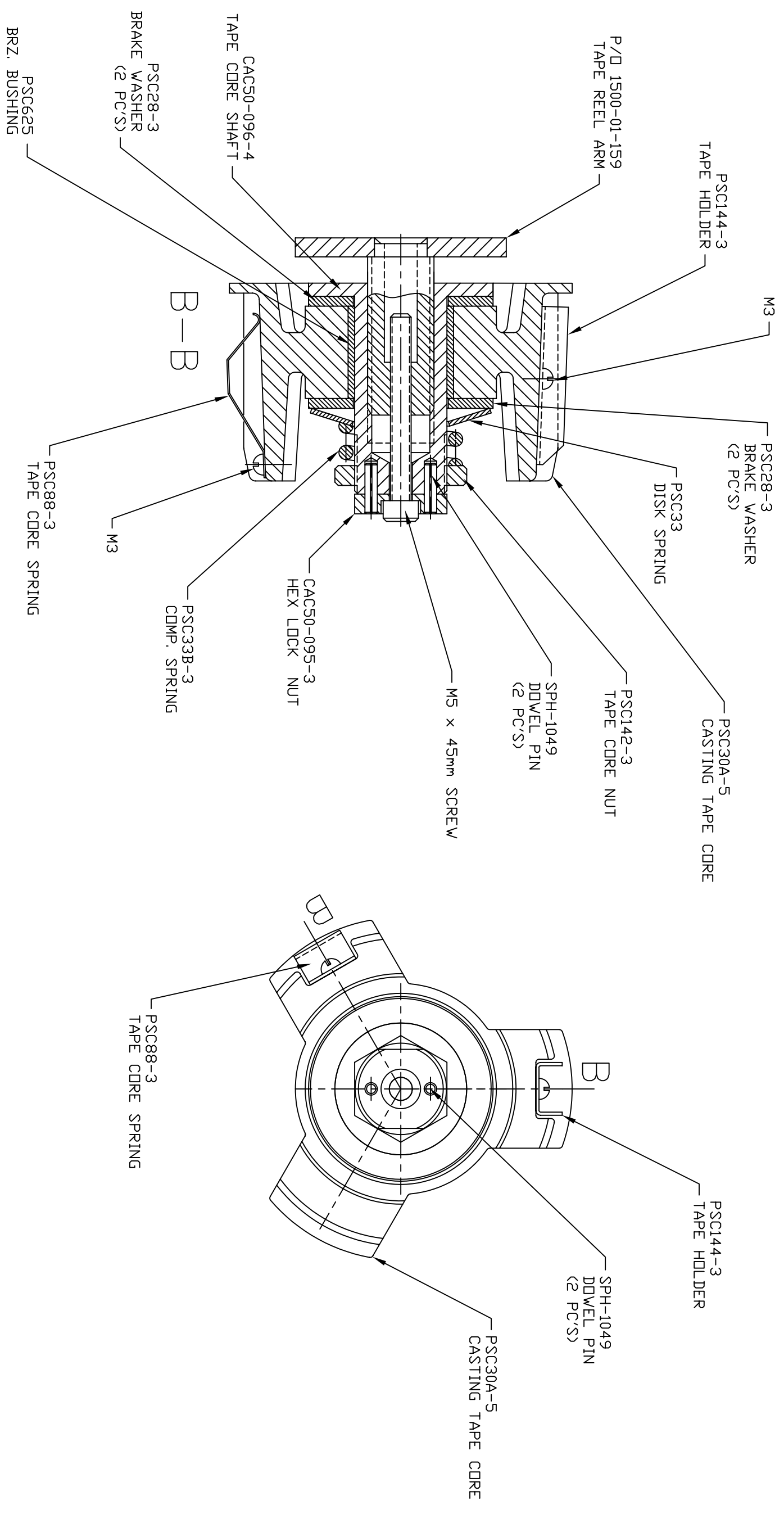
| | | | |
|------------|-----------|--------------------|---------|
| MAT'L | PART # | CAD FILE: | G79294 |
| C.R.S. | STD | PLOT DATE: | 12/3/03 |
| ST. ST. | N/A | DRAWN DATE: | 12/3/03 |
| STAINLESS: | NO FINISH | DO NOT SCALE PRINT | |

THIS DRAWING AND SUBJECT MATTER THEREON IS THE EXCLUSIVE PROPERTY OF LOVESHAW-ITW AND IS TO BE TREATED BY YOU AS CONFIDENTIAL. PROPRIETARY INFORMATION. THIS DRAWING OR SUBJECT MATTER THEREOF SHALL NOT BE REPRODUCED OTHER THAN FOR YOUR OWN USE OR TO BE DISCLOSED TO OTHERS WITHOUT THE EXPRESS WRITTEN CONSENT OF LOVESHAW-ITW AND WILL BE RETURNED TO LOVESHAW-ITW UPON REQUEST.

| | |
|------------------------------------|-----------------------------------------------|
| TOLERANCES UNLESS OTHERWISE NOTED: | |
| INCH | .X = ± .050 .XX = ± .015 .XXX = ± .005 |
| METRIC | .X = ± 1.0mm .XX = ± .5mm .XXX = ± .1mm |
| ANGLES ±1/2° FRACTIONS ±1/64 | |
| MACHINE FINISH | |

| | |
|---------------------------------------|-------------------------------------------------|
| LOVESHAW on ITW Company | |
| RT. 296, SOUTH CANAAN, PA. | |
| TITLE: | TENSION ROLLER ASSY (CARTRIDGE 1500-00-04CH) |
| DWG. #: | TRA1500 |
| MATERIAL: | SCALE: 1:1 |
| DESIGNED: WB | CHECK'D: |
| DRAWN: WB | APPRV'D: |

| REVISION RECORD | | | | |
|-----------------|-------------|----------|-----|-------|
| REV | DESCRIPTION | DATE | ATH | DR CK |
| A | RELEASED | 12/12/03 | | WB |



| | | | |
|------------|-----------|--------------------|----------|
| MAT'L | PART # | CAD FILE: | G79300 |
| C.R.S. | STD | PLOT DATE: | 12/12/03 |
| ST. ST. | TCA301SS | DRAWN DATE: | 12/12/03 |
| STAINLESS: | NO FINISH | DO NOT SCALE PRINT | |

| | |
|------------------------------------|-----------------------------------------------|
| TOLERANCES UNLESS OTHERWISE NOTED: | |
| INCH | .X = ±.050 .XX = ±.015 .XXX = ±.005 |
| METRIC | .X = ± 1.0mm .XX = ± .5mm .XXX = ± .1mm |
| ANGLES ±1/2° FRACTIONS ±1/64 | |
| MACHINE FINISH | |

| | |
|---------------------------------------------------------------------|-------------------------------------|
| LOVESHAW on <i>ITW</i> Company RT. 296, SOUTH CANAAN, PA. | |
| TITLE: | TAPE CORE ASSY 2" (2" CARTRIDGE) |
| DWG. #: | TCA301 |
| MATERIAL: | |
| DESIGNED: WB | DRAWN: WB |
| SCALE: 1:1 | CHECK'D: APPRV'D: |

THIS DRAWING AND SUBJECT MATTER THEREON IS THE EXCLUSIVE PROPERTY OF LOVESHAW-ITW AND IS TO BE TREATED BY YOU AS CONFIDENTIAL. PROPRIETARY INFORMATION. THIS DRAWING OR SUBJECT MATTER SHALL NOT BE REPRODUCED OTHER THAN FOR YOUR OWN USE OR TO BE DISCLOSED TO OTHERS WITHOUT THE EXPRESS WRITTEN CONSENT OF LOVESHAW-ITW AND WILL BE RETURNED TO LOVESHAW-ITW UPON REQUEST.